

M12系列 M12 SERIE

金属外壳连接器的360°全屏蔽，新款更有阻尼设计

Metal housing connector excellent 360° full shielding, new more damped design

产品符合IEC 61076-2-101 工业4.0协议，NEMA2000标准

Products comply with IEC 61076-2-101 Industry 4.0 agreement, NEMA2000 standard

插头：组装式，注塑带电缆式（长度可任意定制）

Plug: assembled type, injection molding with cable type (length can be customized)

插座：板前安装、板后安装、焊线式及PCB板式

Socket: Front Mount Solder type, Back Mount Solder type and PCB type

产品芯数：2、3、4、5、6、8、12、17芯

Number of pins: 2, 3, 4, 5, 6, 8, 12, 17 pins


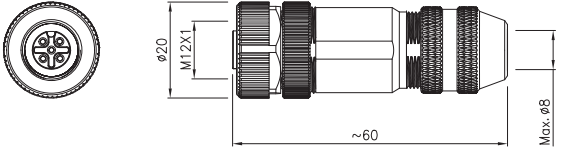

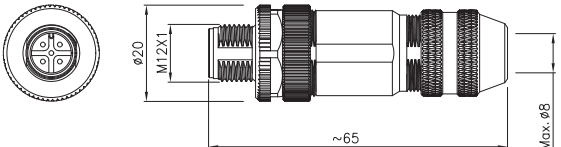

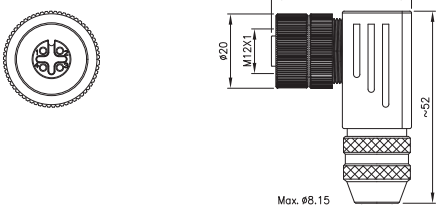

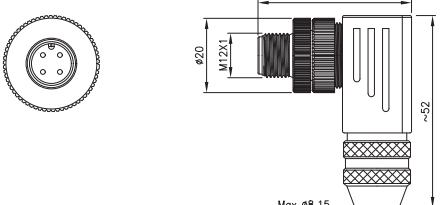

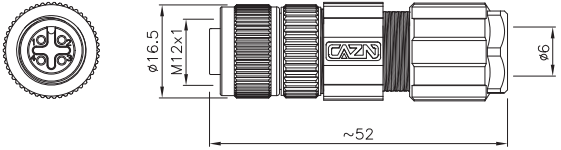

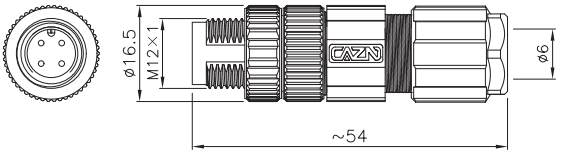

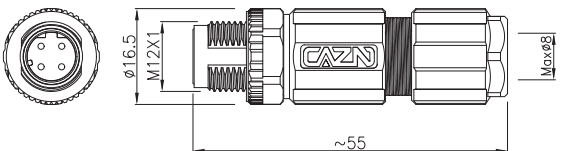

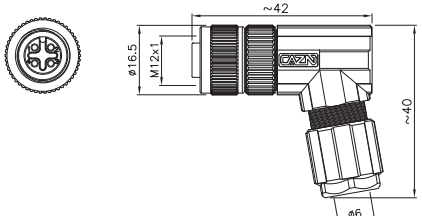
防水等级：IP65、IP67


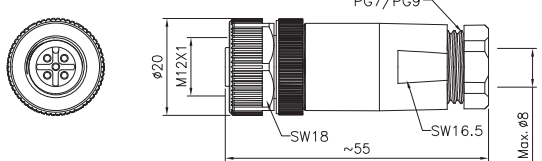
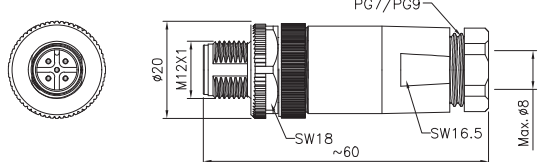

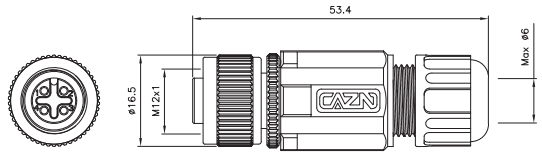
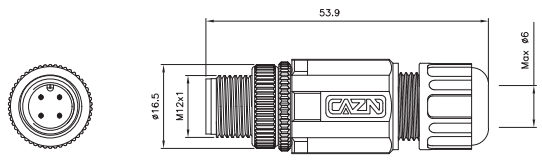
Waterproof grade: IP65, IP67


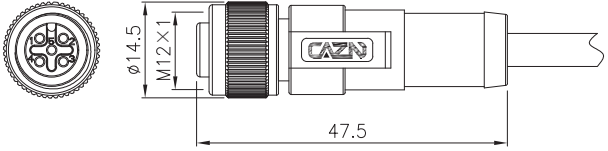

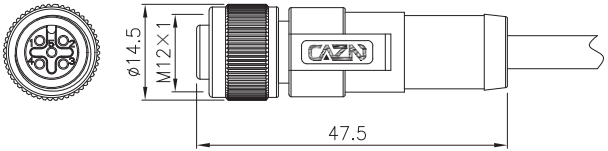

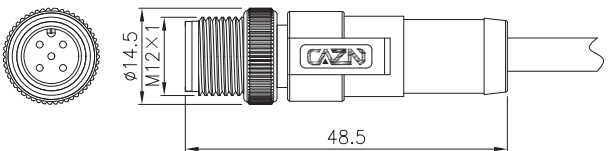

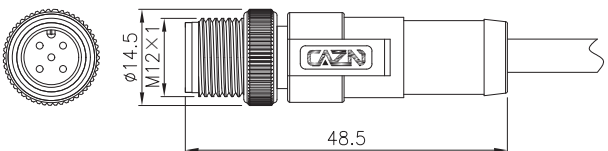

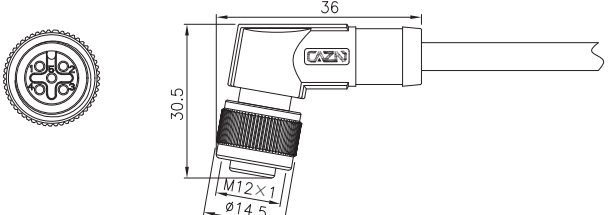

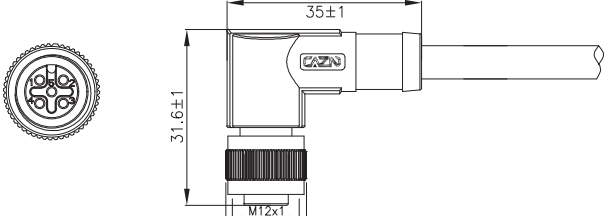
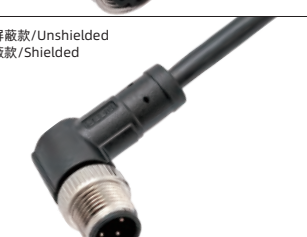
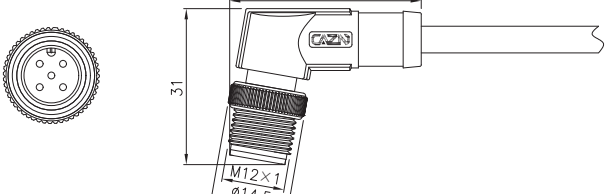

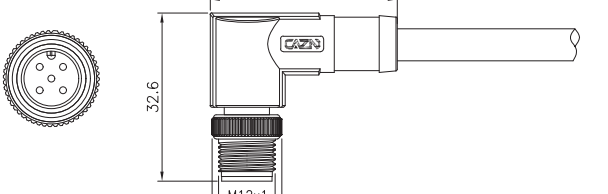


产品参数 PRODUCT PARAMETERS


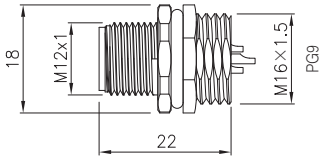
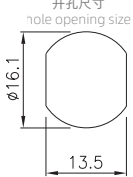

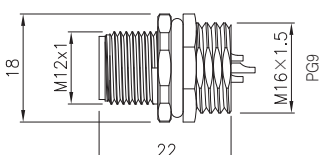
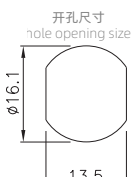

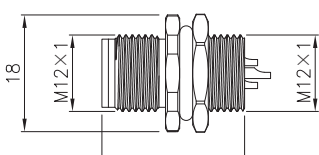
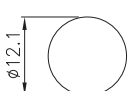

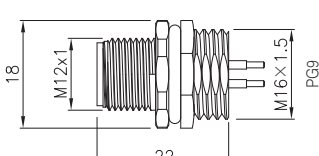
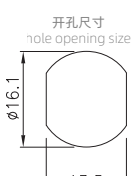

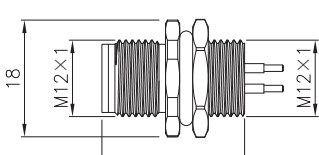
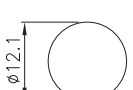

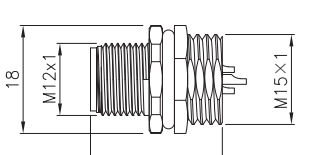
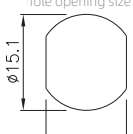

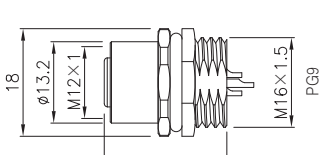
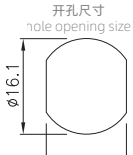

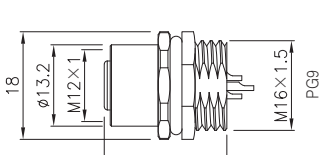
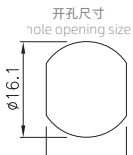
壳体材料 Shell material	黄铜镀镍/锌合金度镍/PA+GF Brass nickel-plated/Zinc alloy nickel-plated/PA-GF	接触阻抗 Contact impedance	≤5mΩ
密封材料 Sealing material	环氧树脂/橡胶 Epoxy resin/Rubber	插拔次数 Durability	≥500次(Cycles)
插针材料 Contact material	黄铜/磷铜镀金 Brass/Phosphorus copper gold-plated	执行标准 Execution standard	IEC 61076-2-101
胶芯材料 Insulator material	PA+GF/TPU	适用温度 Applicable temperature	-25°C ~ +80°C
成型材料 Molding material	TPU/PVC	防水等级 Waterproof grade	IP67


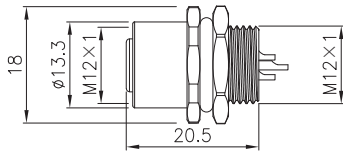


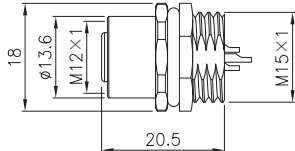
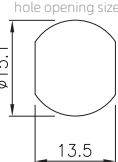

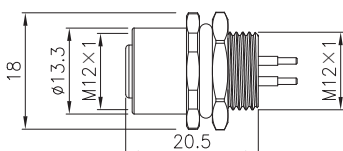


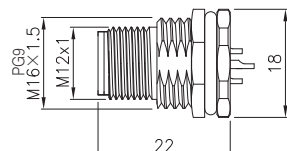
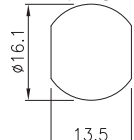

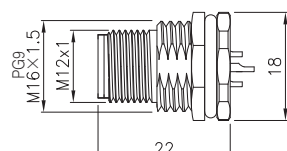
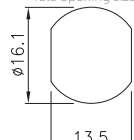

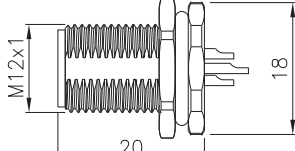
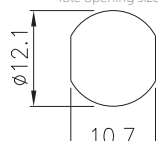

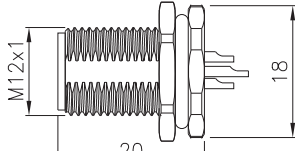
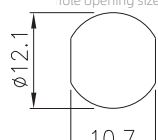

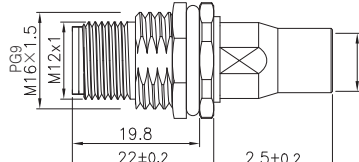
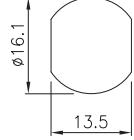
产品图 PRODUCT FIGURE	名称/类型号 NAME/TYPE No.	尺寸图 DIMENSIONS								
	<p>直式孔型金属组装式插头 螺钉式 M12 Straight Female Metal Assembled Plug (Screw)</p> <p>M12 - S 3A - GLA P7</p> <table border="1" data-bbox="523 291 662 362"> <tr> <td>芯数:</td> <td>出线:</td> </tr> <tr> <td>A:2A 3A 4A 5A 6A 8A</td> <td>P7:PG7 P9:PG9</td> </tr> <tr> <td>B:5B</td> <td></td> </tr> <tr> <td>D:4D</td> <td></td> </tr> </table>	芯数:	出线:	A:2A 3A 4A 5A 6A 8A	P7:PG7 P9:PG9	B:5B		D:4D		
芯数:	出线:									
A:2A 3A 4A 5A 6A 8A	P7:PG7 P9:PG9									
B:5B										
D:4D										
	<p>直式针型金属组装式插头 螺钉式 M12 Straight Male Metal Assembled Plug (Screw)</p> <p>M12 - P 3A - GLA P7</p> <table border="1" data-bbox="523 528 662 599"> <tr> <td>芯数:</td> <td>出线:</td> </tr> <tr> <td>A:2A 3A 4A 5A 6A 8A</td> <td>P7:PG7 P9:PG9</td> </tr> <tr> <td>B:5B</td> <td></td> </tr> <tr> <td>D:4D</td> <td></td> </tr> </table>	芯数:	出线:	A:2A 3A 4A 5A 6A 8A	P7:PG7 P9:PG9	B:5B		D:4D		
芯数:	出线:									
A:2A 3A 4A 5A 6A 8A	P7:PG7 P9:PG9									
B:5B										
D:4D										
	<p>弯式孔型金属组装式插头 螺钉式 M12 Angled Female Metal Assembled Plug (Screw)</p> <p>M12 - S 3A - GLD P7</p> <table border="1" data-bbox="523 765 662 836"> <tr> <td>芯数:</td> <td>出线:</td> </tr> <tr> <td>A:2A 3A 4A 5A 6A 8A</td> <td>P7:PG7 P9:PG9</td> </tr> <tr> <td>B:5B</td> <td></td> </tr> <tr> <td>D:4D</td> <td></td> </tr> </table>	芯数:	出线:	A:2A 3A 4A 5A 6A 8A	P7:PG7 P9:PG9	B:5B		D:4D		
芯数:	出线:									
A:2A 3A 4A 5A 6A 8A	P7:PG7 P9:PG9									
B:5B										
D:4D										
	<p>弯式针型金属组装式插头 螺钉式 M12 Angled Male Metal Assembled Plug (Screw)</p> <p>M12 - P 3A - GLD P7</p> <table border="1" data-bbox="523 1002 662 1073"> <tr> <td>芯数:</td> <td>出线:</td> </tr> <tr> <td>A:2A 3A 4A 5A 6A 8A</td> <td>P7:PG7 P9:PG9</td> </tr> <tr> <td>B:5B</td> <td></td> </tr> <tr> <td>D:4D</td> <td></td> </tr> </table>	芯数:	出线:	A:2A 3A 4A 5A 6A 8A	P7:PG7 P9:PG9	B:5B		D:4D		
芯数:	出线:									
A:2A 3A 4A 5A 6A 8A	P7:PG7 P9:PG9									
B:5B										
D:4D										
	<p>直式孔型金属组装式插头 焊线式 M12 Straight Female Metal Assembled Plug (Solder)</p> <p>M12 - S 3A - GWA P9</p> <table border="1" data-bbox="523 1239 662 1310"> <tr> <td>芯数:</td> <td></td> </tr> <tr> <td>A:2A 3A 4A 5A 6A 8A 12A 17A</td> <td></td> </tr> <tr> <td>B:5B</td> <td></td> </tr> <tr> <td>D:4D</td> <td></td> </tr> </table>	芯数:		A:2A 3A 4A 5A 6A 8A 12A 17A		B:5B		D:4D		
芯数:										
A:2A 3A 4A 5A 6A 8A 12A 17A										
B:5B										
D:4D										
	<p>直式针型金属组装式插头 焊线式 M12 Straight Male Metal Assembled Plug (Solder)</p> <p>M12 - P 3A - GWA P9</p> <table border="1" data-bbox="523 1476 662 1548"> <tr> <td>芯数:</td> <td></td> </tr> <tr> <td>A:2A 3A 4A 5A 6A 8A 12A 17A</td> <td></td> </tr> <tr> <td>B:5B</td> <td></td> </tr> <tr> <td>D:4D</td> <td></td> </tr> </table>	芯数:		A:2A 3A 4A 5A 6A 8A 12A 17A		B:5B		D:4D		
芯数:										
A:2A 3A 4A 5A 6A 8A 12A 17A										
B:5B										
D:4D										
	<p>直式针型金属组装式插头 压接式 M12 Straight Male Metal Assembled Plug (Crimp)</p> <p>M12 - P 4D - GCA P9</p> <table border="1" data-bbox="523 1714 662 1785"> <tr> <td>芯数:</td> <td></td> </tr> <tr> <td>A:2A 3A 4A 5A 8A</td> <td></td> </tr> <tr> <td>B:5B</td> <td></td> </tr> <tr> <td>D:4D</td> <td></td> </tr> </table>	芯数:		A:2A 3A 4A 5A 8A		B:5B		D:4D		
芯数:										
A:2A 3A 4A 5A 8A										
B:5B										
D:4D										
	<p>弯式孔型金属组装式插头 焊线式 M12 Angled Female Metal Assembled Plug (Solder)</p> <p>M12 - S 3A - GWD P9</p> <table border="1" data-bbox="523 1951 662 2022"> <tr> <td>芯数:</td> <td></td> </tr> <tr> <td>A:2A 3A 4A 5A 6A 8A 12A 17A</td> <td></td> </tr> <tr> <td>B:5B</td> <td></td> </tr> <tr> <td>D:4D</td> <td></td> </tr> </table>	芯数:		A:2A 3A 4A 5A 6A 8A 12A 17A		B:5B		D:4D		
芯数:										
A:2A 3A 4A 5A 6A 8A 12A 17A										
B:5B										
D:4D										


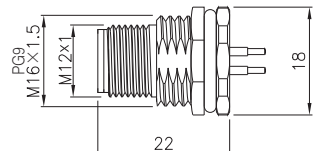
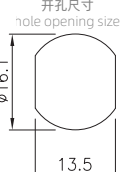

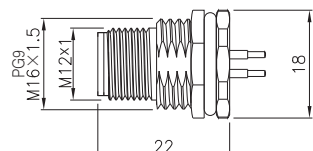
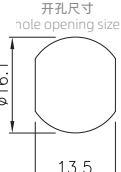

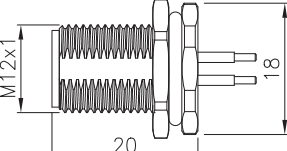
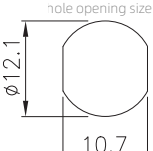

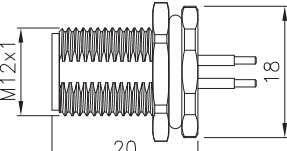
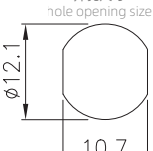

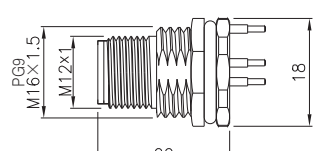
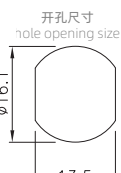

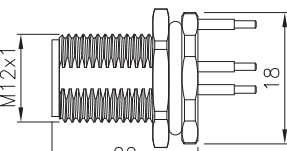
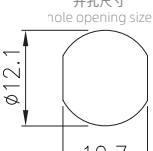

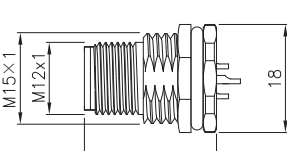
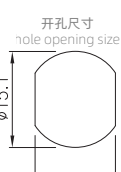

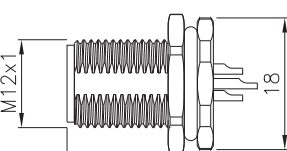
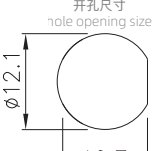
产品图 PRODUCT FIGURE	名称/类型号 NAME/TYPE No.	尺寸图 DIMENSIONS
	<p>弯式针型金属组装式插头 焊线式 M12 Angled Male Metal Assembled Plug (Solder)</p> <p>M12 - P 3A - GWD P9</p> <p>芯数: A:2A 3A 4A 5A 6A BA 12A 17A B:5B D:4D</p>	 <p>~45 ~40 ø16.5 M12x1 ø6</p>
	<p>直式孔型塑胶组装式插头 一分二式 螺钉式 M12 Straight Female Plastic Assembled Plug (One to two types, Screw)</p> <p>M12 - P 4A - PLA-1T2</p> <p>芯数: A:4A</p>	 <p>ø20 M12x1 ~60 SW18 Max.ø5+ø5</p>
	<p>直式孔型塑胶组装式插头 螺钉式 M12 Straight Female Plastic Assembled Plug (Screw)</p> <p>M12 - S 3A - PLA P7</p> <p>芯数: A:2A 3A 4A 5A 6A 8A</p> <p>出线: P7;PG7 P9;PG9</p>	 <p>ø20 M12x1 ~55 SW18 PG7/PG9 SW16.5 Max.ø8</p>
	<p>直式针型塑胶组装式插头 螺钉式 M12 Straight Male Plastic Assembled Plug (Screw)</p> <p>M12 - P 3A - PLA P7</p> <p>芯数: A:2A 3A 4A 5A 6A 8A</p> <p>出线: P7;PG7 P9;PG9</p>	 <p>ø20 M12x1 ~60 SW18 PG7/PG9 SW16.5 Max.ø8</p>
	<p>弯式孔型塑胶组装式插头 螺钉式 M12 Angled Female Plastic Assembled Plug (Screw)</p> <p>M12 - S 3A - PLD P7</p> <p>芯数: A:2A 3A 4A 5A 6A 8A</p> <p>出线: P7;PG7 P9;PG9</p>	 <p>ø20 M12x1 ~43 ~38.5 SW18 PG7/PG9 Max.ø8</p>
	<p>弯式针型塑胶组装式插头 螺钉式 M12 Angled Male Plastic Assembled Plug (Screw)</p> <p>M12 - P 3A - PLD P7</p> <p>芯数: A:2A 3A 4A 5A 6A 8A</p> <p>出线: P7;PG7 P9;PG9</p>	 <p>ø20 ~43 ~38.5 SW18 PG7/PG9 Max.ø8</p>
	<p>直式孔型塑胶组装式插头 焊线式 M12 Straight Female Plastic Assembled Plug (Solder)</p> <p>M12 - S 3A - PWA P7</p> <p>芯数: A:2A 3A 4A 5A 6A 8A B:5B D:4D</p>	 <p>53.4 Max.ø6 ø16.5 M12x1</p>
	<p>直式针型塑胶组装式插头 焊线式 M12 Straight Male Plastic Assembled Plug (Solder)</p> <p>M12 - P 3A - PWA P7</p> <p>芯数: A:2A 3A 4A 5A 6A 8A B:5B D:4D</p>	 <p>53.9 Max.ø6 ø16.5 M12x1</p>


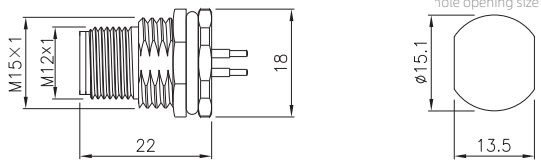

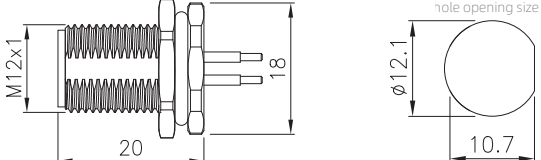

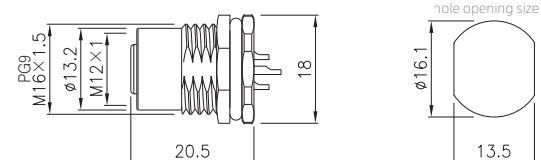

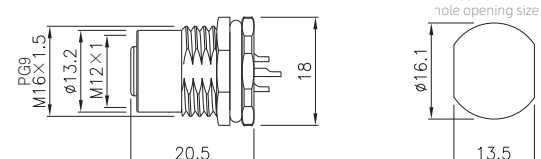

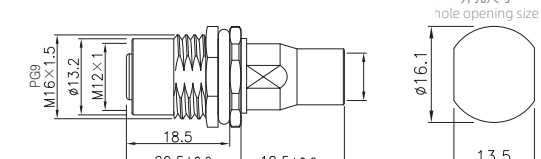

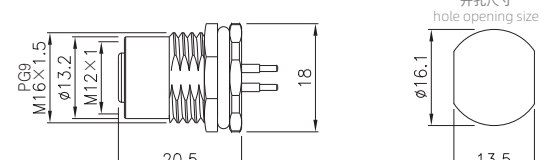

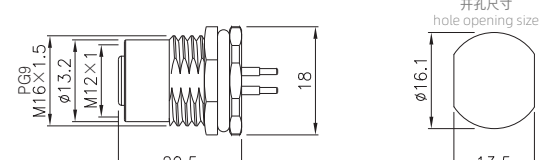

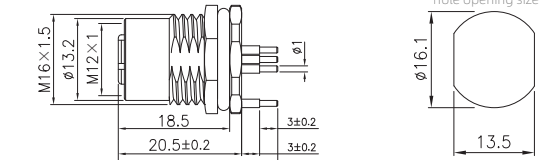
产品图 PRODUCT FIGURE	名称/类型号 NAME/TYPE No.	尺寸图 DIMENSIONS				
 <p>非屏蔽款/Unshielded 屏蔽款/Shielded</p>	<p>直式孔型成型插头 M12 Straight Female Overmolded Plug</p> <p>M12 - S 3A - MWA - 1 PV - S</p> <table border="1" data-bbox="518 291 758 377"> <tr> <td>芯数: A:2A 3A 4A 5A 6A 8A 12A 17A B:5B C:3C 4C 5C 6C D:4D</td> <td>线长(M): 1:1M 2.5:2.5M</td> <td>线材: PV:PVC PU:PU TF:铁氟龙 PE:PE</td> <td>S:屏蔽 空:非屏蔽</td> </tr> </table>	芯数: A:2A 3A 4A 5A 6A 8A 12A 17A B:5B C:3C 4C 5C 6C D:4D	线长(M): 1:1M 2.5:2.5M	线材: PV:PVC PU:PU TF:铁氟龙 PE:PE	S:屏蔽 空:非屏蔽	 <p>Ø14.5 M12×1 47.5</p>
芯数: A:2A 3A 4A 5A 6A 8A 12A 17A B:5B C:3C 4C 5C 6C D:4D	线长(M): 1:1M 2.5:2.5M	线材: PV:PVC PU:PU TF:铁氟龙 PE:PE	S:屏蔽 空:非屏蔽			
	<p>直式孔型成型插头 LED款 M12 Straight Female Overmolded Plug (LED)</p> <p>M12 - S 3A - MWA - 1 PV - LP2</p> <table border="1" data-bbox="518 528 790 614"> <tr> <td>芯数: A:3A 4A 5A</td> <td>线长(M): 1:1M 2.5:2.5M</td> <td>线材: PV:PVC PU:PU TF:铁氟龙 PE:PE</td> <td>灯数: LP2: 2XTNPN LN2: 2XTNPN LP3: 3XTNPN LN3: 3XTNPN</td> </tr> </table>	芯数: A:3A 4A 5A	线长(M): 1:1M 2.5:2.5M	线材: PV:PVC PU:PU TF:铁氟龙 PE:PE	灯数: LP2: 2XTNPN LN2: 2XTNPN LP3: 3XTNPN LN3: 3XTNPN	 <p>Ø14.5 M12×1 47.5</p>
芯数: A:3A 4A 5A	线长(M): 1:1M 2.5:2.5M	线材: PV:PVC PU:PU TF:铁氟龙 PE:PE	灯数: LP2: 2XTNPN LN2: 2XTNPN LP3: 3XTNPN LN3: 3XTNPN			
 <p>非屏蔽款/Unshielded 屏蔽款/Shielded</p>	<p>直式针型成型插头 M12 Straight Male Overmolded Plug</p> <p>M12 - P 3A - MWA - 1 PV - S</p> <table border="1" data-bbox="518 765 758 851"> <tr> <td>芯数: A:2A 3A 4A 5A 6A 8A 12A 17A B:5B C:3C 4C 5C 6C D:4D</td> <td>线长(M): 1:1M 2.5:2.5M</td> <td>线材: PV:PVC PU:PU TF:铁氟龙 PE:PE</td> <td>S:屏蔽 空:非屏蔽</td> </tr> </table>	芯数: A:2A 3A 4A 5A 6A 8A 12A 17A B:5B C:3C 4C 5C 6C D:4D	线长(M): 1:1M 2.5:2.5M	线材: PV:PVC PU:PU TF:铁氟龙 PE:PE	S:屏蔽 空:非屏蔽	 <p>Ø14.5 M12×1 48.5</p>
芯数: A:2A 3A 4A 5A 6A 8A 12A 17A B:5B C:3C 4C 5C 6C D:4D	线长(M): 1:1M 2.5:2.5M	线材: PV:PVC PU:PU TF:铁氟龙 PE:PE	S:屏蔽 空:非屏蔽			
	<p>直式针型成型插头 LED款 M12 Straight Male Overmolded Plug (LED)</p> <p>M12 - P 3A - MWA - 1 PV - LP2</p> <table border="1" data-bbox="518 1002 790 1088"> <tr> <td>芯数: A:3A 4A 5A</td> <td>线长(M): 1:1M 2.5:2.5M</td> <td>线材: PV:PVC PU:PU TF:铁氟龙 PE:PE</td> <td>灯数: LP2: 2XTNPN LN2: 2XTNPN LP3: 3XTNPN LN3: 3XTNPN</td> </tr> </table>	芯数: A:3A 4A 5A	线长(M): 1:1M 2.5:2.5M	线材: PV:PVC PU:PU TF:铁氟龙 PE:PE	灯数: LP2: 2XTNPN LN2: 2XTNPN LP3: 3XTNPN LN3: 3XTNPN	 <p>Ø14.5 M12×1 48.5</p>
芯数: A:3A 4A 5A	线长(M): 1:1M 2.5:2.5M	线材: PV:PVC PU:PU TF:铁氟龙 PE:PE	灯数: LP2: 2XTNPN LN2: 2XTNPN LP3: 3XTNPN LN3: 3XTNPN			
 <p>非屏蔽款/Unshielded 屏蔽款/Shielded</p>	<p>弯式孔型成型插头 M12 Angled Female Overmolded Plug</p> <p>M12 - S 3A - MWD - 1 PV - S</p> <table border="1" data-bbox="518 1239 758 1325"> <tr> <td>芯数: A:2A 3A 4A 5A 6A 8A 12A 17A B:5B C:3C 4C 5C 6C D:4D</td> <td>线长(M): 1:1M 2.5:2.5M</td> <td>线材: PV:PVC PU:PU TF:铁氟龙 PE:PE</td> <td>S:屏蔽 空:非屏蔽</td> </tr> </table>	芯数: A:2A 3A 4A 5A 6A 8A 12A 17A B:5B C:3C 4C 5C 6C D:4D	线长(M): 1:1M 2.5:2.5M	线材: PV:PVC PU:PU TF:铁氟龙 PE:PE	S:屏蔽 空:非屏蔽	 <p>36 30.5 M12×1 Ø14.5</p>
芯数: A:2A 3A 4A 5A 6A 8A 12A 17A B:5B C:3C 4C 5C 6C D:4D	线长(M): 1:1M 2.5:2.5M	线材: PV:PVC PU:PU TF:铁氟龙 PE:PE	S:屏蔽 空:非屏蔽			
	<p>弯式孔型成型插头 LED款 M12 Angled Female Overmolded Plug (LED)</p> <p>M12 - S 3A - MWD - 1 PV - LP2</p> <table border="1" data-bbox="518 1476 790 1563"> <tr> <td>芯数: A:3A 4A 5A</td> <td>线长(M): 1:1M 2.5:2.5M</td> <td>线材: PV:PVC PU:PU TF:铁氟龙 PE:PE</td> <td>灯数: LP2: 2XTNPN LN2: 2XTNPN LP3: 3XTNPN LN3: 3XTNPN</td> </tr> </table>	芯数: A:3A 4A 5A	线长(M): 1:1M 2.5:2.5M	线材: PV:PVC PU:PU TF:铁氟龙 PE:PE	灯数: LP2: 2XTNPN LN2: 2XTNPN LP3: 3XTNPN LN3: 3XTNPN	 <p>35±1 31.6±1 M12×1 Ø14.5</p>
芯数: A:3A 4A 5A	线长(M): 1:1M 2.5:2.5M	线材: PV:PVC PU:PU TF:铁氟龙 PE:PE	灯数: LP2: 2XTNPN LN2: 2XTNPN LP3: 3XTNPN LN3: 3XTNPN			
 <p>非屏蔽款/Unshielded 屏蔽款/Shielded</p>	<p>弯式针型成型插头 M12 Angled Male Overmolded Plug</p> <p>M12 - P 3A - MWD - 1 PV - S</p> <table border="1" data-bbox="518 1714 758 1800"> <tr> <td>芯数: A:2A 3A 4A 5A 6A 8A 12A 17A B:5B C:3C 4C 5C 6C D:4D</td> <td>线长(M): 1:1M 2.5:2.5M</td> <td>线材: PV:PVC PU:PU TF:铁氟龙 PE:PE</td> <td>S:屏蔽 空:非屏蔽</td> </tr> </table>	芯数: A:2A 3A 4A 5A 6A 8A 12A 17A B:5B C:3C 4C 5C 6C D:4D	线长(M): 1:1M 2.5:2.5M	线材: PV:PVC PU:PU TF:铁氟龙 PE:PE	S:屏蔽 空:非屏蔽	 <p>34.2 31 M12×1 Ø14.5</p>
芯数: A:2A 3A 4A 5A 6A 8A 12A 17A B:5B C:3C 4C 5C 6C D:4D	线长(M): 1:1M 2.5:2.5M	线材: PV:PVC PU:PU TF:铁氟龙 PE:PE	S:屏蔽 空:非屏蔽			
	<p>弯式针型成型插头 LED款 M12 Angled Male Overmolded Plug (LED)</p> <p>M12 - P 3A - MWD - 1 PV - LP2</p> <table border="1" data-bbox="518 1951 790 2037"> <tr> <td>芯数: A:3A 4A 5A</td> <td>线长(M): 1:1M 2.5:2.5M</td> <td>线材: PV:PVC PU:PU TF:铁氟龙 PE:PE</td> <td>灯数: LP2: 2XTNPN LN2: 2XTNPN LP3: 3XTNPN LN3: 3XTNPN</td> </tr> </table>	芯数: A:3A 4A 5A	线长(M): 1:1M 2.5:2.5M	线材: PV:PVC PU:PU TF:铁氟龙 PE:PE	灯数: LP2: 2XTNPN LN2: 2XTNPN LP3: 3XTNPN LN3: 3XTNPN	 <p>39.5 32.6 M12×1 Ø14.5</p>
芯数: A:3A 4A 5A	线长(M): 1:1M 2.5:2.5M	线材: PV:PVC PU:PU TF:铁氟龙 PE:PE	灯数: LP2: 2XTNPN LN2: 2XTNPN LP3: 3XTNPN LN3: 3XTNPN			


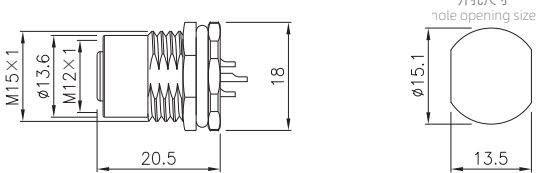

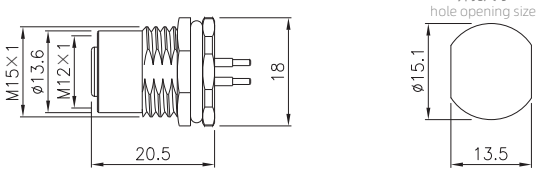

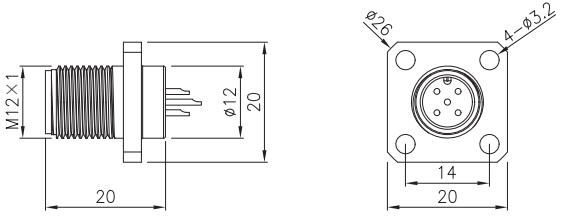

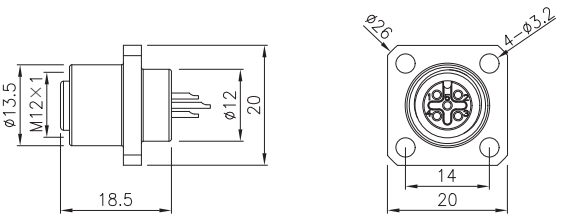

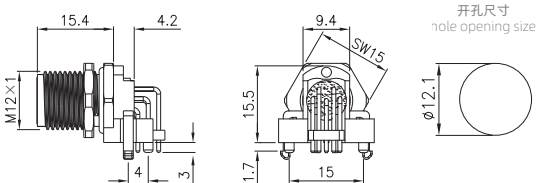

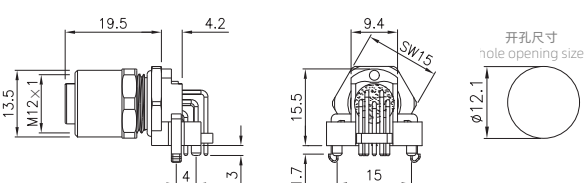

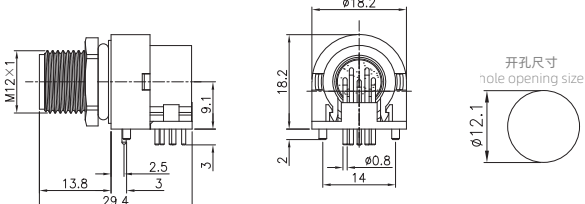

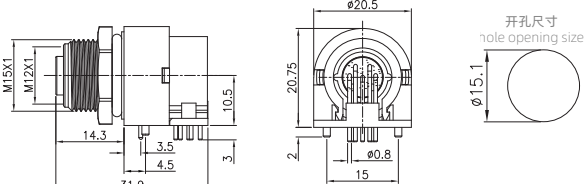
产品图 PRODUCT FIGURE	名称/类型号 NAME/TYPE No.	尺寸图 DIMENSIONS				
<p>非屏蔽款/Unshielded 屏蔽款/Shielded</p>	<p>直式孔型成型插头 阻尼款 M12 Straight Female Overmolded Plug (Damping style)</p> <p>M12 - S 3A - MWA - 1 PV - S - ZN</p> <table border="1"> <tr> <td>芯数: A:2A 3A 4A 5A 6A 8A 12A 17A B:5B C:3C 4C 5C 6C D:4D</td> <td>线长(M): 1:1M 2.5:2.5M</td> <td>线材: PV:PVC PU:PU TF:铁氟龙 PE:PE</td> <td>S:屏蔽 空:非屏蔽</td> </tr> </table>	芯数: A:2A 3A 4A 5A 6A 8A 12A 17A B:5B C:3C 4C 5C 6C D:4D	线长(M): 1:1M 2.5:2.5M	线材: PV:PVC PU:PU TF:铁氟龙 PE:PE	S:屏蔽 空:非屏蔽	<p>45.8</p> <p>ø16.5</p> <p>M12x1</p>
芯数: A:2A 3A 4A 5A 6A 8A 12A 17A B:5B C:3C 4C 5C 6C D:4D	线长(M): 1:1M 2.5:2.5M	线材: PV:PVC PU:PU TF:铁氟龙 PE:PE	S:屏蔽 空:非屏蔽			
<p>非屏蔽款/Unshielded 屏蔽款/Shielded</p>	<p>直式针型成型插头 阻尼款 M12 Straight Male Overmolded Plug (Damping style)</p> <p>M12 - P 3A - MWA - 1 PV - S - ZN</p> <table border="1"> <tr> <td>芯数: A:2A 3A 4A 5A 6A 8A 12A 17A B:5B C:3C 4C 5C 6C D:4D</td> <td>线长(M): 1:1M 2.5:2.5M</td> <td>线材: PV:PVC PU:PU TF:铁氟龙 PE:PE</td> <td>S:屏蔽 空:非屏蔽</td> </tr> </table>	芯数: A:2A 3A 4A 5A 6A 8A 12A 17A B:5B C:3C 4C 5C 6C D:4D	线长(M): 1:1M 2.5:2.5M	线材: PV:PVC PU:PU TF:铁氟龙 PE:PE	S:屏蔽 空:非屏蔽	<p>47.5</p> <p>ø16.5</p> <p>M12x1</p>
芯数: A:2A 3A 4A 5A 6A 8A 12A 17A B:5B C:3C 4C 5C 6C D:4D	线长(M): 1:1M 2.5:2.5M	线材: PV:PVC PU:PU TF:铁氟龙 PE:PE	S:屏蔽 空:非屏蔽			
	<p>直式孔型成型插头 塑胶款 M12 Straight Female Overmolded Plug (Plastic style)</p> <p>M12 - S 3A - MWA - 1 PV - PM</p> <table border="1"> <tr> <td>芯数: A:2A 3A 4A 5A 6A 8A 12A 17A B:5B C:3C 4C 5C 6C D:4D</td> <td>线长(M): 1:1M 2.5:2.5M</td> <td>线材: PV:PVC PU:PU TF:铁氟龙 PE:PE</td> <td>S:屏蔽 空:非屏蔽</td> </tr> </table>	芯数: A:2A 3A 4A 5A 6A 8A 12A 17A B:5B C:3C 4C 5C 6C D:4D	线长(M): 1:1M 2.5:2.5M	线材: PV:PVC PU:PU TF:铁氟龙 PE:PE	S:屏蔽 空:非屏蔽	<p>47.5</p> <p>ø15</p> <p>M12x1</p>
芯数: A:2A 3A 4A 5A 6A 8A 12A 17A B:5B C:3C 4C 5C 6C D:4D	线长(M): 1:1M 2.5:2.5M	线材: PV:PVC PU:PU TF:铁氟龙 PE:PE	S:屏蔽 空:非屏蔽			
	<p>直式针型成型插头 塑胶款 M12 Straight Male Overmolded Plug (Plastic style)</p> <p>M12 - P 3A - MWA - 1 PV - PM</p> <table border="1"> <tr> <td>芯数: A:2A 3A 4A 5A 6A 8A 12A 17A B:5B C:3C 4C 5C 6C D:4D</td> <td>线长(M): 1:1M 2.5:2.5M</td> <td>线材: PV:PVC PU:PU TF:铁氟龙 PE:PE</td> <td>S:屏蔽 空:非屏蔽</td> </tr> </table>	芯数: A:2A 3A 4A 5A 6A 8A 12A 17A B:5B C:3C 4C 5C 6C D:4D	线长(M): 1:1M 2.5:2.5M	线材: PV:PVC PU:PU TF:铁氟龙 PE:PE	S:屏蔽 空:非屏蔽	<p>48.5</p> <p>ø15</p> <p>M12x1</p>
芯数: A:2A 3A 4A 5A 6A 8A 12A 17A B:5B C:3C 4C 5C 6C D:4D	线长(M): 1:1M 2.5:2.5M	线材: PV:PVC PU:PU TF:铁氟龙 PE:PE	S:屏蔽 空:非屏蔽			
	<p>弯式孔型成型插头 塑胶款 M12 Angled Female Overmolded Plug (Plastic style)</p> <p>M12 - S 3A - MWD - 1 PV - PM</p> <table border="1"> <tr> <td>芯数: A:2A 3A 4A 5A 6A 8A 12A 17A B:5B C:3C 4C 5C 6C D:4D</td> <td>线长(M): 1:1M 2.5:2.5M</td> <td>线材: PV:PVC PU:PU TF:铁氟龙 PE:PE</td> <td>S:屏蔽 空:非屏蔽</td> </tr> </table>	芯数: A:2A 3A 4A 5A 6A 8A 12A 17A B:5B C:3C 4C 5C 6C D:4D	线长(M): 1:1M 2.5:2.5M	线材: PV:PVC PU:PU TF:铁氟龙 PE:PE	S:屏蔽 空:非屏蔽	<p>36</p> <p>30.5</p> <p>ø15</p> <p>M12x1</p>
芯数: A:2A 3A 4A 5A 6A 8A 12A 17A B:5B C:3C 4C 5C 6C D:4D	线长(M): 1:1M 2.5:2.5M	线材: PV:PVC PU:PU TF:铁氟龙 PE:PE	S:屏蔽 空:非屏蔽			
	<p>弯式针型成型插头 塑胶款 M12 Angled Male Overmolded Plug (Plastic style)</p> <p>M12 - P 3A - MWD - 1 PV - PM</p> <table border="1"> <tr> <td>芯数: A:2A 3A 4A 5A 6A 8A 12A 17A B:5B C:3C 4C 5C 6C D:4D</td> <td>线长(M): 1:1M 2.5:2.5M</td> <td>线材: PV:PVC PU:PU TF:铁氟龙 PE:PE</td> <td>S:屏蔽 空:非屏蔽</td> </tr> </table>	芯数: A:2A 3A 4A 5A 6A 8A 12A 17A B:5B C:3C 4C 5C 6C D:4D	线长(M): 1:1M 2.5:2.5M	线材: PV:PVC PU:PU TF:铁氟龙 PE:PE	S:屏蔽 空:非屏蔽	<p>34.2</p> <p>31</p> <p>ø15</p> <p>M12x1</p>
芯数: A:2A 3A 4A 5A 6A 8A 12A 17A B:5B C:3C 4C 5C 6C D:4D	线长(M): 1:1M 2.5:2.5M	线材: PV:PVC PU:PU TF:铁氟龙 PE:PE	S:屏蔽 空:非屏蔽			
	<p>一分二孔型成型插头 M12 Female 1 to 2 Overmolded Plug</p> <p>M12 - S 3A - MWA - 1 PV - S - 1T2</p> <table border="1"> <tr> <td>芯数: A:2A 3A 4A 5A 6A 8A 12A 17A B:5B C:3C 4C 5C 6C D:4D</td> <td>线长(M): 1:1M 2.5:2.5M</td> <td>线材: PV:PVC PU:PU TF:铁氟龙 PE:PE</td> <td>S:屏蔽 空:非屏蔽</td> </tr> </table>	芯数: A:2A 3A 4A 5A 6A 8A 12A 17A B:5B C:3C 4C 5C 6C D:4D	线长(M): 1:1M 2.5:2.5M	线材: PV:PVC PU:PU TF:铁氟龙 PE:PE	S:屏蔽 空:非屏蔽	<p>53.2</p> <p>ø14.5</p> <p>M12x1</p>
芯数: A:2A 3A 4A 5A 6A 8A 12A 17A B:5B C:3C 4C 5C 6C D:4D	线长(M): 1:1M 2.5:2.5M	线材: PV:PVC PU:PU TF:铁氟龙 PE:PE	S:屏蔽 空:非屏蔽			
	<p>一分二针型成型插头 M12 Male 1 to 2 Overmolded Plug</p> <p>M12 - P 3A - MWA - 1 PV - S - 1T2</p> <table border="1"> <tr> <td>芯数: A:2A 3A 4A 5A 6A 8A 12A 17A B:5B C:3C 4C 5C 6C D:4D</td> <td>线长(M): 1:1M 2.5:2.5M</td> <td>线材: PV:PVC PU:PU TF:铁氟龙 PE:PE</td> <td>S:屏蔽 空:非屏蔽</td> </tr> </table>	芯数: A:2A 3A 4A 5A 6A 8A 12A 17A B:5B C:3C 4C 5C 6C D:4D	线长(M): 1:1M 2.5:2.5M	线材: PV:PVC PU:PU TF:铁氟龙 PE:PE	S:屏蔽 空:非屏蔽	<p>55.4</p> <p>ø14.5</p> <p>M12x1</p>
芯数: A:2A 3A 4A 5A 6A 8A 12A 17A B:5B C:3C 4C 5C 6C D:4D	线长(M): 1:1M 2.5:2.5M	线材: PV:PVC PU:PU TF:铁氟龙 PE:PE	S:屏蔽 空:非屏蔽			


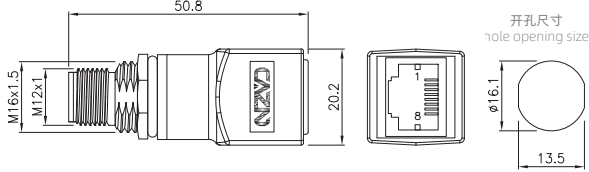

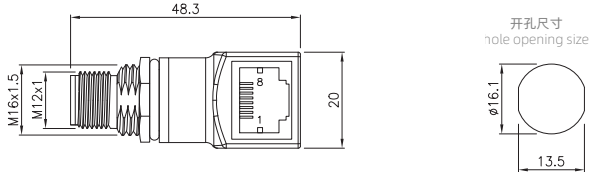

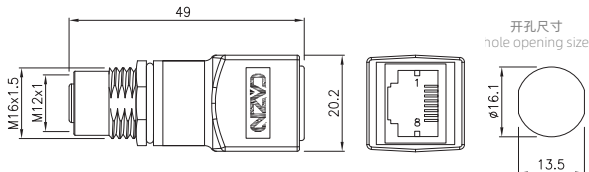

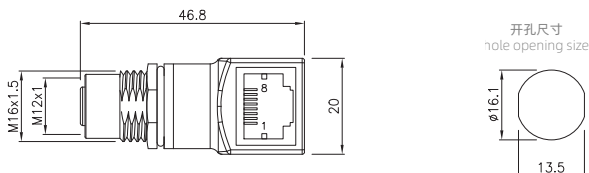

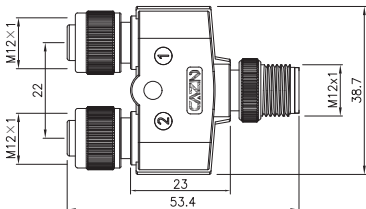

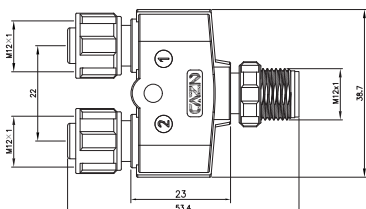

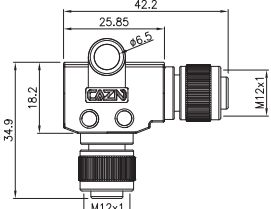

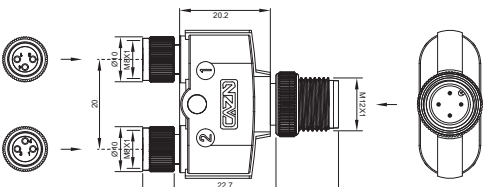
产品图 PRODUCT FIGURE	名称/类型号 NAME/TYPE No.	尺寸图 DIMENSIONS	
螺钉/Screw M16x1.5 螺钉/Screw PG9 	板前安装针型插座 焊线式 M12 Male Front Mount Socket (Solder) M12 - P 3A - GWB M16 芯数: A:2A 3A 4A 5A 6A BA 12A 17A B:5B C:3C 4C 5C 6C D:4D 螺牙: M16:M16x1.5 P9:PG9		开孔尺寸 hole opening size 
螺钉/Screw M16x1.5 螺钉/Screw PG9 	板前安装针型插座 焊线式 锌合金 M12 Male Front Mount Socket (Solder, Zinc alloy) M12 - P 3A - GWB M16 - ZA 芯数: A:2A 3A 4A 5A 6A BA 12A 17A B:5B C:3C 4C 5C 6C D:4D 螺牙: M16:M16x1.5 P9:PG9		开孔尺寸 hole opening size 
	板前安装针型插座 焊线式 螺钉M12x1 M12 Male Front Mount Socket (Solder, Screw M12*1) M12 - P 3A - GWB M12 芯数: A:2A 3A 4A 5A 6A BA 12A 17A B:5B C:3C 4C 5C 6C D:4D		开孔尺寸 hole opening size 
螺钉/Screw M16x1.5 螺钉/Screw PG9 	板前安装针型插座 插板式 M12 Male Front Mount Socket (PCB) M12 - P 3A - GPB M16 芯数: A:2A 3A 4A 5A 6A BA 12A 17A B:5B C:3C 4C 5C 6C D:4D 螺牙: M16:M16x1.5 P9:PG9		开孔尺寸 hole opening size 
	板前安装针型插座 插板式 螺钉M12x1 M12 Male Front Mount Socket (PCB, Screw M12*1) M12 - P 3A - GPB M12 芯数: A:2A 3A 4A 5A 6A BA 12A 17A B:5B C:3C 4C 5C 6C D:4D		开孔尺寸 hole opening size 
	板前安装针型插座 焊线式 螺钉M15x1 塑胶版 M12 Male Front Mount Socket (Solder, Screw M15*1, Plastic type) M12 - P 3A - PWB M15 芯数: A:2A 3A 4A 5A 6A BA 12A 17A B:5B C:3C 4C 5C 6C D:4D		开孔尺寸 hole opening size 
螺钉/Screw M16x1.5 螺钉/Screw PG9 	板前安装孔型插座 焊线式 M12 Female Front Mount Socket (Solder) M12 - S 3A - GWB M16 芯数: A:2A 3A 4A 5A 6A BA 12A 17A B:5B C:3C 4C 5C 6C D:4D 螺牙: M16:M16x1.5 P9:PG9		开孔尺寸 hole opening size 
螺钉/Screw M16x1.5 螺钉/Screw PG9 	板前安装孔型插座 焊线式 锌合金 M12 Female Front Mount Socket (Solder, Zinc alloy) M12 - S 3A - GWB M16 - ZA 芯数: A:2A 3A 4A 5A 6A BA 12A 17A B:5B C:3C 4C 5C 6C D:4D 螺牙: M16:M16x1.5 P9:PG9		开孔尺寸 hole opening size 


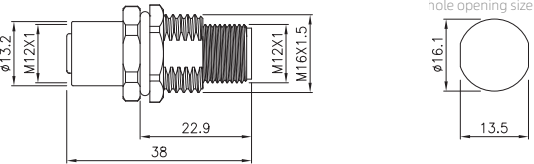

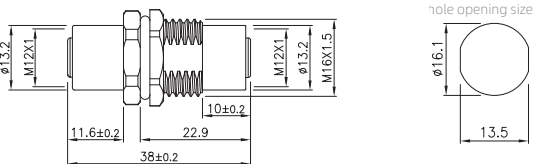

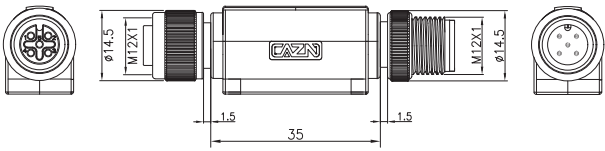

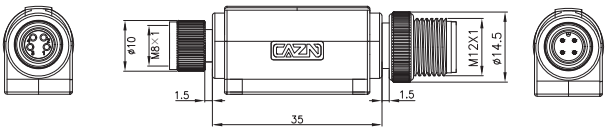

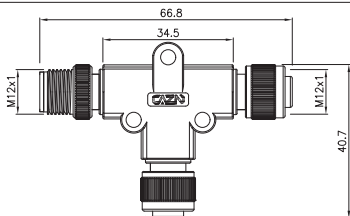

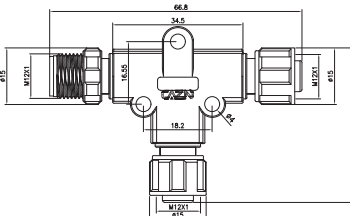

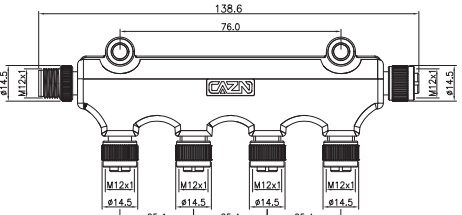

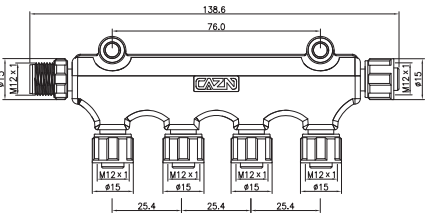
产品图 PRODUCT FIGURE	名称/类型号 NAME/TYPE No.	尺寸图 DIMENSIONS	
	<p>板前安装孔型插座 焊线式 螺牙M12x1 M12 Female Front Mount Socket (Solder, Screw M12*1)</p> <p>M12 - S 3A - GWB M12</p> <p>芯数: A:2A 3A 4A 5A 6A BA 12A 17A B:5B C:3C 4C 5C 6C D:4D</p>		<p>开孔尺寸 hole opening size</p>  <p>∅12.1</p>
	<p>板前安装孔型插座 焊线式 螺牙M15x1 塑胶版 M12 Female Front Mount Socket (Solder, Screw M15*1, Plastic type)</p> <p>M12 - S 3A - PWB M15</p> <p>芯数: A:2A 3A 4A 5A 6A BA 12A 17A B:5B C:3C 4C 5C 6C D:4D</p>		<p>开孔尺寸 hole opening size</p>  <p>∅15.1 13.5</p>
	<p>板前安装孔型插座 插板式 螺牙M12x1 M12 Female Front Mount Socket (PCB, Screw M12*1)</p> <p>M12 - S 3A - GPB M12</p> <p>芯数: A:2A 3A 4A 5A 6A BA 12A 17A B:5B C:3C 4C 5C 6C D:4D</p>		<p>开孔尺寸 hole opening size</p>  <p>∅12.1</p>
<p>螺牙/Screw M16x1.5 螺牙/Screw PG9</p> 	<p>板后安装针型插座 焊线式 M12 Male Back Mount Socket (Solder)</p> <p>M12 - P 3A - GWF M16</p> <p>芯数: A:2A 3A 4A 5A 6A BA 12A 17A B:5B C:3C 4C 5C 6C D:4D</p> <p>螺牙: M16:M16x1.5 P9:PG9</p>		<p>开孔尺寸 hole opening size</p>  <p>∅16.1 13.5</p>
<p>螺牙/Screw M16x1.5 螺牙/Screw PG9</p> 	<p>板后安装针型插座 焊线式 锌合金 M12 Male Back Mount Socket (Solder, Zinc alloy)</p> <p>M12 - P 3A - GWF M16 - ZA</p> <p>芯数: A:2A 3A 4A 5A 6A BA 12A 17A B:5B C:3C 4C 5C 6C D:4D</p> <p>螺牙: M16:M16x1.5 P9:PG9</p>		<p>开孔尺寸 hole opening size</p>  <p>∅16.1 13.5</p>
	<p>板后安装针型插座 焊线式 螺牙M12x1 M12 Male Back Mount Socket (Solder, Screw M12*1)</p> <p>M12 - P 3A - GWF M12</p> <p>芯数: A:2A 3A 4A 5A 6A BA 12A 17A B:5B C:3C 4C 5C 6C D:4D</p>		<p>开孔尺寸 hole opening size</p>  <p>∅12.1 10.7</p>
	<p>板后安装针型插座 焊线式 螺牙M12x1 锌合金 M12 Male Back Mount Socket (Solder, Screw M12*1, Zinc alloy)</p> <p>M12 - P 3A - GWF M12 - ZA</p> <p>芯数: A:2A 3A 4A 5A 6A BA 12A 17A B:5B C:3C 4C 5C 6C D:4D</p>		<p>开孔尺寸 hole opening size</p>  <p>∅12.1 10.7</p>
<p>螺牙/Screw M16x1.5 螺牙/Screw PG9</p> 	<p>板后安装针型插座 焊线式 屏蔽 M12 Male Back Mount Socket (Solder, Shielded)</p> <p>M12 - P 3A - GWF M16 - PBG</p> <p>芯数: A:2A 3A 4A 5A 6A BA 12A 17A B:5B C:3C 4C 5C 6C D:4D</p> <p>螺牙: M16:M16x1.5 P9:PG9</p>		<p>开孔尺寸 hole opening size</p>  <p>∅16.1 13.5</p>



产品图 PRODUCT FIGURE	名称/类型号 NAME/TYPE No.	尺寸图 DIMENSIONS	
螺钉/Screw M16x1.5 螺钉/Screw PG9 	板后安装针型插座 插板式 M12 Male Back Mount Socket (PCB) M12 - P 3A - GPF M16 芯数: A:2A 3A 4A 5A 6A 8A 12A 17A B:5B C:3C 4C 5C 6C D:4D 螺牙: M16:M16x1.5 P9:PG9		开孔尺寸 hole opening size 
螺钉/Screw M16x1.5 螺钉/Screw PG9 	板后安装针型插座 插板式 锌合金 M12 Male Back Mount Socket (PCB, Zinc alloy) M12 - P 3A - GPF M16 - AZ 芯数: A:2A 3A 4A 5A 6A 8A 12A 17A B:5B C:3C 4C 5C 6C D:4D 螺牙: M16:M16x1.5 P9:PG9		开孔尺寸 hole opening size 
	板后安装针型插座 插板式 螺钉M12x1 M12 Male Back Mount Socket (PCB, Screw M12*1) M12 - P 3A - GPF M12 芯数: A:2A 3A 4A 5A 6A 8A 12A 17A B:5B C:3C 4C 5C 6C D:4D		开孔尺寸 hole opening size 
	板后安装针型插座 插板式 螺钉M12x1 锌合金 M12 Male Back Mount Socket (PCB, Screw M12*1, Zinc alloy) M12 - P 3A - GPF M12 - ZA 芯数: A:2A 3A 4A 5A 6A 8A 12A 17A B:5B C:3C 4C 5C 6C D:4D		开孔尺寸 hole opening size 
螺钉/Screw M16x1.5 螺钉/Screw PG9 	板后安装针型插座 插板式 接地款 M12 Male Back Mount Socket (PCB, Grounded type) M12 - P 3A - GPF M16 - JD 芯数: A:2A 3A 4A 5A 6A 8A 12A 17A B:5B C:3C 4C 5C 6C D:4D 螺牙: M16:M16x1.5 P9:PG9		开孔尺寸 hole opening size 
	板后安装针型插座 插板式 螺钉M12x1 接地款 M12 Male Back Mount Socket (PCB, Screw M12*1, Grounded type) M12 - P 3A - GPF M12 - JD 芯数: A:2A 3A 4A 5A 6A 8A 12A 17A B:5B C:3C 4C 5C 6C D:4D		开孔尺寸 hole opening size 
	板后安装针型插座 焊线式 螺钉M15x1 塑胶版 M12 Male Back Mount Socket (Solder, Screw M15*1, Plastic type) M12 - P 3A - PWF M15 芯数: A:2A 3A 4A 5A 6A 8A 12A 17A B:5B C:3C 4C 5C 6C D:4D		开孔尺寸 hole opening size 
	板后安装针型插座 焊线式 螺钉M12x1 塑胶版 M12 Male Back Mount Socket (Solder, Screw M12*1, Plastic type) M12 - P 3A - PWF M12 芯数: A:2A 3A 4A 5A 6A 8A 12A 17A B:5B C:3C 4C 5C 6C D:4D		开孔尺寸 hole opening size 

产品图 PRODUCT FIGURE	名称/类型号 NAME/TYPE No.	尺寸图 DIMENSIONS	
	<p>板后安装针型插座 插板式 螺钉M15x1 塑胶版 M12 Male Back Mount Socket (PCB, Screw M15*1, Plastic type)</p> <p>M12 - P 3A - PPF M15</p> <p>芯数: A:2A 3A 4A 5A 6A BA 12A 17A B:5B C:3C 4C 5C 6C D:4D</p>		
	<p>板后安装针型插座 插板式 螺钉M12x1 塑胶版 M12 Male Back Mount Socket (PCB, Screw M12*1, Plastic type)</p> <p>M12 - P 3A - PPF M12</p> <p>芯数: A:2A 3A 4A 5A 6A BA 12A 17A B:5B C:3C 4C 5C 6C D:4D</p>		
<p>螺钉/Screw M16x1.5 螺钉/Screw PG9</p> 	<p>板后安装孔型插座 焊线式 M12 Female Back Mount Socket (Solder)</p> <p>M12 - S 3A - GWF M16</p> <p>芯数: A:2A 3A 4A 5A 6A BA 12A 17A B:5B C:3C 4C 5C 6C D:4D</p> <p>螺钉: M16:M16x1.5 P9:PG9</p>		
<p>螺钉/Screw M16x1.5 螺钉/Screw PG9</p> 	<p>板后安装孔型插座 焊线式 锌合金 M12 Female Back Mount Socket (Solder, Zinc alloy)</p> <p>M12 - S 3A - GWF M16 - ZA</p> <p>芯数: A:2A 3A 4A 5A 6A BA 12A 17A B:5B C:3C 4C 5C 6C D:4D</p> <p>螺钉: M16:M16x1.5 P9:PG9</p>		
<p>螺钉/Screw M16x1.5 螺钉/Screw PG9</p> 	<p>板后安装孔型插座 焊线式 屏蔽 M12 Female Back Mount Socket (Solder, Shielded)</p> <p>M12 - S 3A - GWF M16 - PBG</p> <p>芯数: A:2A 3A 4A 5A 6A BA 12A 17A B:5B C:3C 4C 5C 6C D:4D</p> <p>螺钉: M16:M16x1.5 P9:PG9</p>		
<p>螺钉/Screw M16x1.5 螺钉/Screw PG9</p> 	<p>板后安装孔型插座 插板式 M12 Female Back Mount Socket (PCB)</p> <p>M12 - S 3A - GPF M16</p> <p>芯数: A:2A 3A 4A 5A 6A BA 12A 17A B:5B C:3C 4C 5C 6C D:4D</p> <p>螺钉: M16:M16x1.5 P9:PG9</p>		
<p>螺钉/Screw M16x1.5 螺钉/Screw PG9</p> 	<p>板后安装孔型插座 插板式 锌合金 M12 Female Back Mount Socket (PCB, Zinc alloy)</p> <p>M12 - S 3A - GPF M16 - ZA</p> <p>芯数: A:2A 3A 4A 5A 6A BA 12A 17A B:5B C:3C 4C 5C 6C D:4D</p> <p>螺钉: M16:M16x1.5 P9:PG9</p>		
<p>螺钉/Screw M16x1.5 螺钉/Screw PG9</p> 	<p>板后安装孔型插座 插板式 接地款 M12 Female Back Mount Socket (PCB, Grounded type)</p> <p>M12 - S 3A - GPF M16 - JD</p> <p>芯数: A:2A 3A 4A 5A 6A BA 12A 17A B:5B C:3C 4C 5C 6C D:4D</p> <p>螺钉: M16:M16x1.5 P9:PG9</p>		

产品图 PRODUCT FIGURE	名称/类型号 NAME/TYPE No.	尺寸图 DIMENSIONS
	<p>板后安装孔型插座 焊线式 螺牙M15x1 塑胶版 M12 Female Back Mount Socket (Solder, Screw M15*1, Plastic type)</p> <p>M12 - S 3A - PWF M15</p> <p>芯数: A:2A 3A 4A 5A 6A BA 12A 17A B:5B C:3C 4C 5C 6C D:4D</p>	 <p>开孔尺寸 hole opening size</p>
	<p>板后安装孔型插座 插板式 螺牙M15x1 塑胶版 M12 Female Back Mount Socket(PCB, Screw M15*1, Plastic type)</p> <p>M12 - S 3A - PPF M15</p> <p>芯数: A:2A 3A 4A 5A 6A BA 12A 17A B:5B C:3C 4C 5C 6C D:4D</p>	 <p>开孔尺寸 hole opening size</p>
	<p>方形法兰针型插座 焊线式 14x14 M12 Square Flange Male Socket (Solder, 14*14)</p> <p>M12 - P 3A - GWH</p> <p>芯数: A:2A 3A 4A 5A 6A BA 12A 17A B:5B C:3C 4C 5C 6C D:4D</p>	
	<p>方形法兰孔型插座 焊线式 14x14 M12 Square Flange Female Socket (Solder, 14*14)</p> <p>M12 - S 3A - GWH</p> <p>芯数: A:2A 3A 4A 5A 6A BA 12A 17A B:5B C:3C 4C 5C 6C D:4D</p>	
<p>不接地款/Ungrounded 接地款/Grounded</p> 	<p>弯式针型插座 插板式 螺牙M12x1 M12 Curved Needle Socket (PCB, Screw M12*1)</p> <p>M12 - P 3A - GPL M12 - JD</p> <p>芯数: A:2A 3A 4A 5A 6A BA 12A B:5B D:4D</p> <p>空:不接地 D:接地</p>	 <p>开孔尺寸 hole opening size</p>
<p>不接地款/Ungrounded 接地款/Grounded</p> 	<p>弯式孔型插座 插板式 螺牙M12x1 M12 Curved Hole Socket (PCB, Screw M12*1)</p> <p>M12 - S 3A - GPL M12 - JD</p> <p>芯数: A:2A 3A 4A 5A 6A BA 12A B:5B D:4D</p> <p>空:不接地 D:接地</p>	 <p>开孔尺寸 hole opening size</p>
	<p>弯式针型插座 插板式 螺牙M12x1 大体积款 M12 Curved Needle Socket (PCB, Screw M12*1, Big volume)</p> <p>M12 - P 3A - GPL M12 - BS</p> <p>芯数: A:2A 3A 4A 5A 6A BA 12A 17A B:5B D:4D</p>	 <p>开孔尺寸 hole opening size</p>
	<p>弯式孔型插座 插板式 螺牙M15x1 大体积款 M12 Curved Hole Socket (PCB, Screw M15*1, Big volume)</p> <p>M12 - S 3A - GPL M15 - BS</p> <p>芯数: A:2A 3A 4A 5A 6A BA 12A 17A B:5B D:4D</p>	 <p>开孔尺寸 hole opening size</p>

产品图 PRODUCT FIGURE	名称/类型号 NAME/TYPE No.	尺寸图 DIMENSIONS
	<p>直式针型转RJ45转换器 M12 Straight Male to RJ45 Adapter</p> <p>M12 - P 4D - RJ45 F8 - ASCNY</p> <p>芯数: A:4A BA D:4D</p>	
	<p>弯式针型转RJ45转换器 M12 Angled Male to RJ45 Adapter</p> <p>M12 - P 4D - RJ45 F8 - DSCNY</p> <p>芯数: A:4A BA D:4D</p>	
	<p>直式孔型转RJ45转换器 M12 Straight Female to RJ45 Adapter</p> <p>M12 - S 4D - RJ45 F8 - ASCNY</p> <p>芯数: A:4A BA D:4D</p>	
	<p>弯式孔型转RJ45转换器 M12 Angled Female to RJ45 Adapter</p> <p>M12 - S 4D - RJ45 F8 - DSCNY</p> <p>芯数: A:4A BA D:4D</p>	
	<p>Y型转换器 PSS型 M12 Y-Type Adapter (PSS)</p> <p>M12 - P 3A - SS 3A - YSCNY</p> <p>芯数: A:2A 3A 4A 5A 6A BA B:5B D:4D</p>	
	<p>Y型转换器 PSS型 塑胶款 M12 Y-Type Adapter (PSS, Plastic type)</p> <p>M12 - P 3A - SS 3A - YPMNY</p> <p>芯数: A:2A 3A 4A 5A 6A BA B:5B D:4D</p>	
	<p>L型转换器 SS型 M12 L-Type Adapter (SS)</p> <p>M12 - S 3A - S 3A - LSCNY</p> <p>芯数: A:2A 3A 4A 5A 6A BA B:5B D:4D</p>	
	<p>Y型转换器 M12-M8x2 PSS型 M12 Y-Type Adapter (M12-M8*2, PSS)</p> <p>M12 - P 4A - M8 SS 4A - YELNY</p> <p>芯数: A:3A 4A</p>	

产品图 PRODUCT FIGURE	名称/类型号 NAME/TYPE No.	尺寸图 DIMENSIONS
	<p>I 型转接器 M12-M12 PS型 金属款 M12 I-Type Adapter (M12-M12, PS, Metal Style)</p> <p>M12 - P 3A - S 3A - IGANN</p> <p>芯数: A:2A 3A 4A 5A 6A 8A 12A B:5B D:4D</p>	 <p>开孔尺寸 hole opening size</p>
	<p>I 型转接器 M12-M12 SS型 金属款 M12 I-Type Adapter (M12-M12, SS, Metal Style)</p> <p>M12 - S 3A - S 3A - IGANN</p> <p>芯数: A:2A 3A 4A 5A 6A 8A 12A B:5B D:4D</p>	 <p>开孔尺寸 hole opening size</p>
	<p>I 型转接器 M12-M12 PS型 塑胶款 M12 I-Type Adapter (M12-M12, PS, Plastic style)</p> <p>M12 - P 3A - S 3A - ISCNY</p> <p>芯数: A:2A 3A 4A 5A 6A 8A 12A B:5B D:4D</p>	
	<p>I 型转接器 M12-M8 PS型 塑胶款 M12 I-Type Adapter (M12-M8, PS, Plastic style)</p> <p>M12 - P 3A - M8 S 3A - ISCNY</p> <p>芯数: A:2A 3A 4A 5A 6A 8A 12A B:5B D:4D</p> <p>芯数: A:3A 4A 6A 8A B:5B</p>	
	<p>T型转接器 PSS型 M12 T-Type Adapter (PSS)</p> <p>M12 - S 3A - PS 3A - TSCNY</p> <p>芯数: A:2A 3A 4A 5A 6A 8A B:5B D:4D</p>	
	<p>T型转接器 PSS型 塑胶款 M12 T-Type Adapter (PSS, Plastic type)</p> <p>M12 - S 3A - PS 3A - TPMNY</p> <p>芯数: A:2A 3A 4A 5A 6A 8A B:5B D:4D</p>	
	<p>T型转接器 PSSSSS型 M12 T-Type Adapter (PSSSSS)</p> <p>M12 - P 5A - S 5A x5 - TSCNY</p> <p>芯数: A:2A 3A 4A 5A 6A 8A B:5B D:4D</p>	
	<p>T型转接器 PSSSSS型 塑胶款 M12 T-Type Adapter (PSSSSS, Plastic type)</p> <p>M12 - P 5A - S 5A x5 - TPMNY</p> <p>芯数: A:2A 3A 4A 5A 6A 8A B:5B D:4D</p>	

产品图 PRODUCT FIGURE	名称/类型号 NAME/TYPE No.	尺寸图 DIMENSIONS
	T型带线转接器 PS型 M12 T-Type Cable type (PS) M12 - P 3A / S 3A - MWT+OPEN - 1 PV 芯数: A:2A 3A 4A 5A 6A BA 12A 17A B:5B C:3C 4C 5C 6C D:4D 线长(M): 1:1M 2.5:2.5M 线材: PV:PVC PU:PUR	
	终端电阻孔型插头 120Ω M12 Female Ohm Terminal Plug (120Ω) M12 - S 3A - MWO - 120 芯数: A:2A 3A 4A 5A 6A BA 12A 17A B:5B C:3C 4C 5C 6C D:4D 阻抗(Ω): 120:120Ω	
	终端电阻孔型插头 120Ω 塑胶版 M12 Female Ohm Terminal Plug (120Ω, Plastic type) M12 - S 3A - MWO - 120PM 芯数: A:2A 3A 4A 5A 6A BA 12A 17A B:5B C:3C 4C 5C 6C D:4D 阻抗(Ω): 120:120Ω	
	终端电阻针型插头 120Ω M12 Male Ohm Terminal Plug (120Ω) M12 - P 3A - MWO - 120 芯数: A:2A 3A 4A 5A 6A BA 12A 17A B:5B C:3C 4C 5C 6C D:4D 阻抗(Ω): 120:120Ω	
	终端电阻针型插头 120Ω 塑胶版 M12 Male Ohm Terminal Plug (120Ω, Plastic type) M12 - P 3A - MWO - 120PM 芯数: A:2A 3A 4A 5A 6A BA 12A 17A B:5B C:3C 4C 5C 6C D:4D 阻抗(Ω): 120:120Ω	

M12·贴片式插座配件 M12 SMD RECEPTACLE ASSEMBLY

	针型贴片式插座 M12 Male SMD Type Socket M12 - P 3A - PSS 芯数: A:2A 3A 4A 5A 6A BA 12A 17A B:5B D:4D			孔型贴片式插座 M12 Female SMD Type Socket M12 - S 3A - PSS 芯数: A:2A 3A 4A 5A 6A BA 12A 17A B:5B D:4D	
	板前安装针型外壳 螺钉M12x1 Front Mount Male Shell (Screw M12*1) M12-PGBM12				

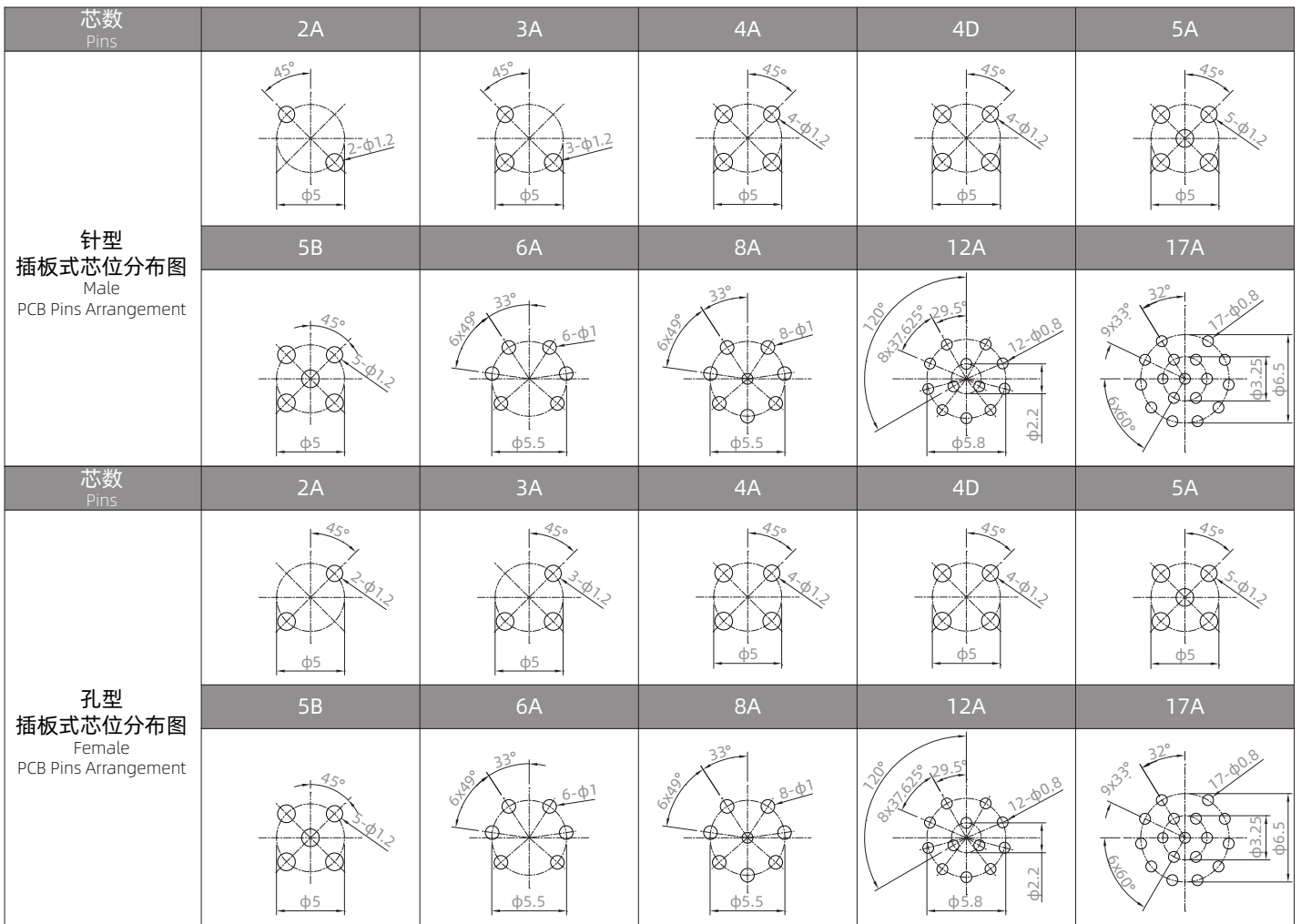
M12·防尘盖 M12 DUST COVER

M12 塑胶防尘盖 内牙 M12 Plastic Dust Cover (Inner screw)			M12 金属防尘盖 内牙 M12 Metal Dust Cover (Inner screw)		
	环内直径 Ring inner diameter	订货号 No.		环内直径 Ring inner diameter	订货号 No.
	φ 3mm	M12P-TV5P-3		φ 3mm	M12G-TV1P-3
	φ 11.5mm	M12P-TV5P-11.5		φ 12mm	M12G-TV1P-12
	φ 13mm	M12P-TV5P-13		φ 16mm	M12G-TV1P-16
	φ 15mm	M12P-TV5P-15			
M12 塑胶防尘盖 外牙 M12 Plastic Dust Cover (Outer screw)			M12 金属防尘盖 外牙 M12 Metal Dust Cover (Outer screw)		
	环内直径 Ring inner diameter	订货号 No.		环内直径 Ring inner diameter	订货号 No.
	φ 3mm	M12P-TV5S-3		φ 3mm	M12G-TV1S-3
	φ 11.5mm	M12P-TV5S-11.5		φ 12mm	M12G-TV1S-12
	φ 13mm	M12P-TV5S-13		φ 16mm	M12G-TV1S-16
	φ 15mm	M12P-TV5S-15			
M12 塑胶防尘盖 外牙 M12 Plastic Dust Cover (Outer screw)					
	环内直径 Ring inner diameter	订货号 No.			
	φ M12	M12P-TV6S			

M12·电气参数 M12 ELECTRICAL PARAMETERS

芯数 Pins	针型 Male				额定电流 Rated current	额定电压 Rated voltage		导体规格 Conductor size		孔型 Female			
	A	B	C	D		A/C	D/C	AWG	mm ²	A	B	C	D
2					4A	250V	250V	22	0.34				
3					4A	250V	250V	22	0.34				
4					4A	250V	250V	22	0.34				
5					4A:A型(A-Code) B型(B-Code) 2A:C型(C-Code)	60V	60V	22	0.34				
6					2A	30V	30V	24	0.25				
8					2A	30V	30V	24	0.25				
12					1.5A	30V	30V	26	0.14				
17					1.5A	30V	30V	26	0.14				

M12·插板式芯位图 M12 PCB PINS ARRANGEMENT



M12·接线定义 M12 WIRE DEFINITION

芯位 Pins	线芯颜色 Wire core color	
	2芯(Pins)	
1	BN	
2	-	
3	BU	

芯位 Pins	线芯颜色 Wire core color		
	3芯(Pins)		
1	BN		
2	-		
3	BU		
4	BK		

芯位 Pins	线芯颜色 Wire core color			
	6芯(Pins)			
1	BN			
2	WH			
3	BU			
4	BK			
5	-			
6	GY			
7	RD			

芯位 Pins	线芯颜色 Wire core color		
	8芯(Pins)		
1	WH		
2	BN		
3	GN		
4	YE		
5	GY		
6	PK		
7	BU		
8	RD		

芯位 Pins	线芯颜色 Wire core color					
	4芯A编码(4 Pins A-Code)		4芯B编码(4 Pins B-Code)		4芯D编码(4 Pins D-Code)	
1	BN		BN		YE	
2	WH		WH		WH	
3	BU		BU		OG	
4	BK		BK		BU	


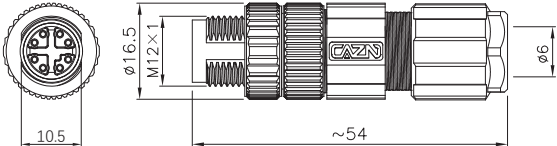

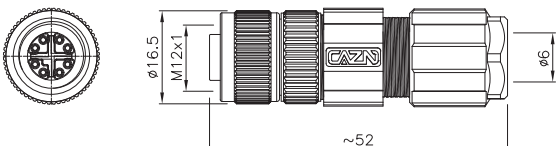

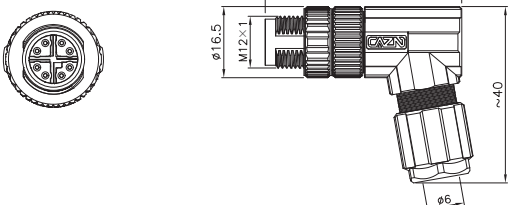

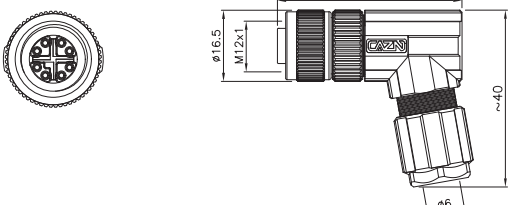

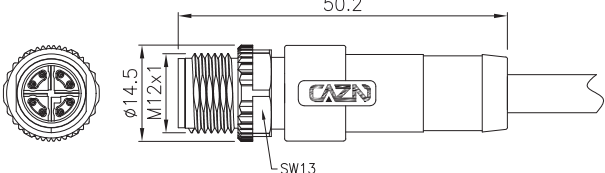

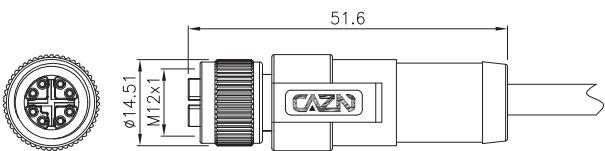
芯位 Pins	线芯颜色 Wire core color			
	12芯(Pins)			
1	BN			
2	BU			
3	WH			
4	GN			
5	PK			
6	YE			
7	BK			
8	GY			
9	RD			
10	VT			
11	OG			
12	LTGN			


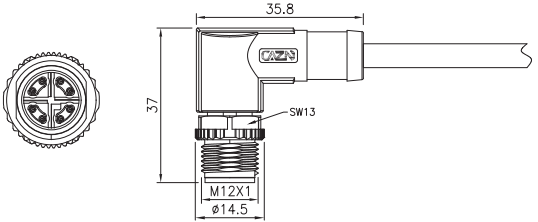

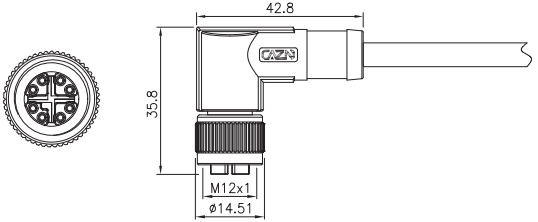

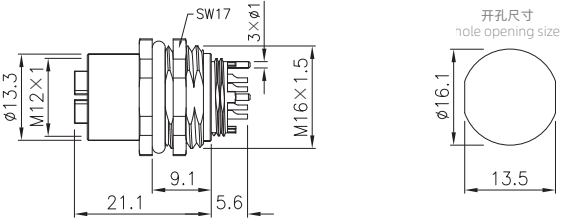

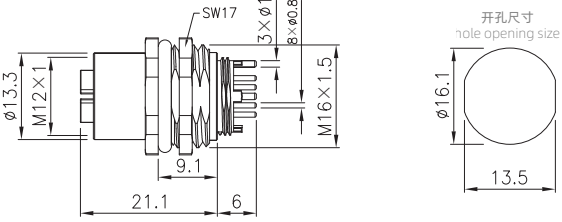

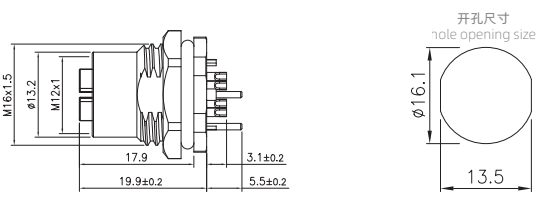

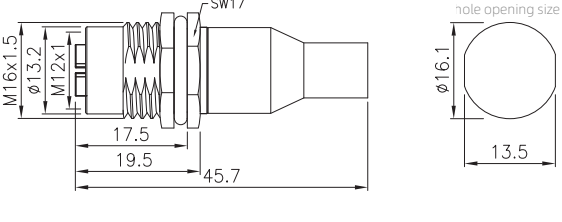

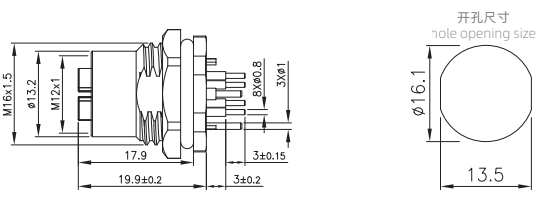
芯位 Pins	线芯颜色 Wire core color		
	17芯(Pins)		
1	BN		
2	BU		
3	WH		
4	GN		
5	PK		
6	YE		
7	BK		
8	GY		
9	RD		
10	VT		
11	OG		
12	LTGN		
13	LTBU		
14	BKWH		
15	BNWH		
16	RDWH		
17	BUWH		


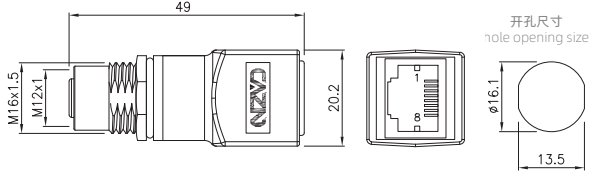

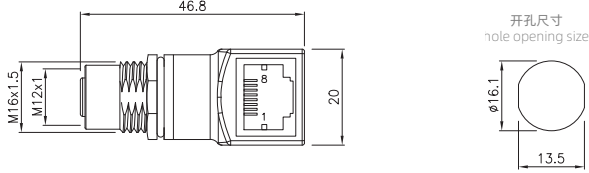
*接线定义按常规标准，如按协议或者其他请联系我司业务。
Wiring definition according to conventional standards, if according to the agreement or other please contact our sales.

M12数据型——X型Y型


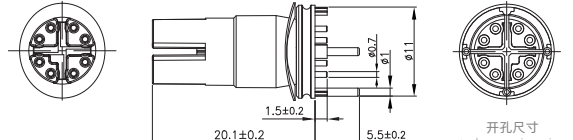

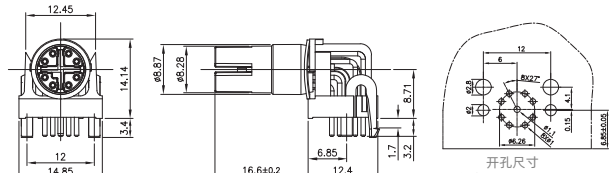


M12 DATA TYPE -- X CODE/Y CODE

产品图 PRODUCT FIGURE	名称/类型号 NAME/TYPE NO.	尺寸图 DIMENSIONS
	<p>直式针型金属组装机插头 数据型 压接式 PG9 M12 Straight Male Metal Assembled Plug (Data type, Crimp, PG9)</p> <p>M12 - P 8X - GCA P9 - ZN</p> <p>芯数: X:8X Y:6Y 8Y</p>	
	<p>直式孔型金属组装机插头 数据型 焊线式 PG9 M12 Straight Female Metal Assembled Plug (Data type, Solder, PG9)</p> <p>M12 - S 8X - GWA P9 - ZN</p> <p>芯数: X:8X Y:6Y 8Y</p>	
	<p>弯式针型金属组装机插头 数据型 压接式 PG9 M12 Angled Male Metal Assembled Plug (Data type, Crimp, PG9)</p> <p>M12 - P 8X - GCD P9 - ZN</p> <p>芯数: X:8X Y:6Y 8Y</p>	
	<p>弯式孔型金属组装机插头 数据型 焊线式 PG9 M12 Angled Female Metal Assembled Plug (Data type, Solder, PG9)</p> <p>M12 - S 8X - GWD P9 - ZN</p> <p>芯数: X:8X Y:6Y 8Y</p>	
	<p>直式针型成型插头 数据型 屏蔽款 M12 Straight Male Overmolded Plug (Data type, Shielded)</p> <p>M12 - P 8X - GWA -1 PV - S</p> <p>芯数: X:8X Y:6Y 8Y</p> <p>线长(M): 1:1M 2.5:2.5M</p> <p>线材: PV-PVC PU-PU TF-铁氟龙 PE-PE</p> <p>S:屏蔽 空:非屏蔽</p>	
	<p>直式孔型成型插头 数据型 屏蔽款 M12 Straight Female Overmolded Plug (Data type, Shielded)</p> <p>M12 - S 8X - GWA -1 PV - S</p> <p>芯数: X:8X Y:6Y 8Y</p> <p>线长(M): 1:1M 2.5:2.5M</p> <p>线材: PV-PVC PU-PU TF-铁氟龙 PE-PE</p> <p>S:屏蔽 空:非屏蔽</p>	

产品图 PRODUCT FIGURE	名称/型号 NAME/TYPE No.	尺寸图 DIMENSIONS
	弯式针型成型插头 数据型 屏蔽式 M12 Angled Male Overmolded Plug (Data type, Shielded) M12 - P 8X - GWD - 1 PV - S 芯数: X:BX Y:6Y 8Y 线长(M): 1:1M 2.5:2.5M 线材: PV:PVC PU:PU S:屏蔽 空:非屏蔽 TF:铁氟龙 PE:PE	
	弯式孔型成型插头 数据型 屏蔽式 M12 Angled Female Overmolded Plug (Data type, Shielded) M12 - S 8X - GWD - 1 PV - S 芯数: X:BX Y:6Y 8Y 线长(M): 1:1M 2.5:2.5M 线材: PV:PVC PU:PU S:屏蔽 空:非屏蔽 TF:铁氟龙 PE:PE	
	板前安装孔型插座 数据型 焊线式 螺牙M16x1.5 M12 Female Front Mount Socket (Data type, Solder, Screw M16*1.5) M12 - S 8X - GWB M16 芯数: X:BX Y:6Y 8Y	
	板前安装孔型插座 数据型 插板式 螺牙M16x1.5 M12 Female Front Mount Socket (Data type, PCB, Screw M16*1.5) M12 - S 8X - GPB M16 芯数: X:BX Y:6Y 8Y	
	板后安装孔型插座 数据型 焊线式 螺牙M16x1.5 M12 Female Back Mount Socket (Data type, Solder, Screw M16*1.5) M12 - S 8X - GWF M16 芯数: X:BX Y:6Y 8Y	
	板后安装孔型插座 数据型 焊线式 螺牙M16x1.5 屏蔽款 M12 Female Back Mount Socket (Data type, Solder, Screw M16*1.5, Shielded) M12 - S 8X - GWF M16 - PBG 芯数: X:BX Y:6Y 8Y 螺牙: M16:M16x1.5 P9:PG9	
	板后安装孔型插座 数据型 插板式 螺牙M16x1.5 M12 Female Back Mount Socket (Data type, PCB, Screw M16*1.5) M12 - S 8X - GPF M16 芯数: X:BX Y:6Y 8Y	

产品图 PRODUCT FIGURE	名称/类型号 NAME/TYPE No.	尺寸图 DIMENSIONS
	<p>直式孔型转RJ45转接器 180° 数据型 M12 Straight Female to RJ45 Adapter 180°(Data type)</p> <p>M12 - S 8X - RJ45 F8 - ASCNY</p>	 <p>开孔尺寸 hole opening size</p>
	<p>弯式孔型转RJ45转接器 90° 数据型 M12 Angled Female to RJ45 Adapter 90°(Data type)</p> <p>M12 - S 8X - RJ45 F8 - DSCNY</p>	 <p>开孔尺寸 hole opening size</p>

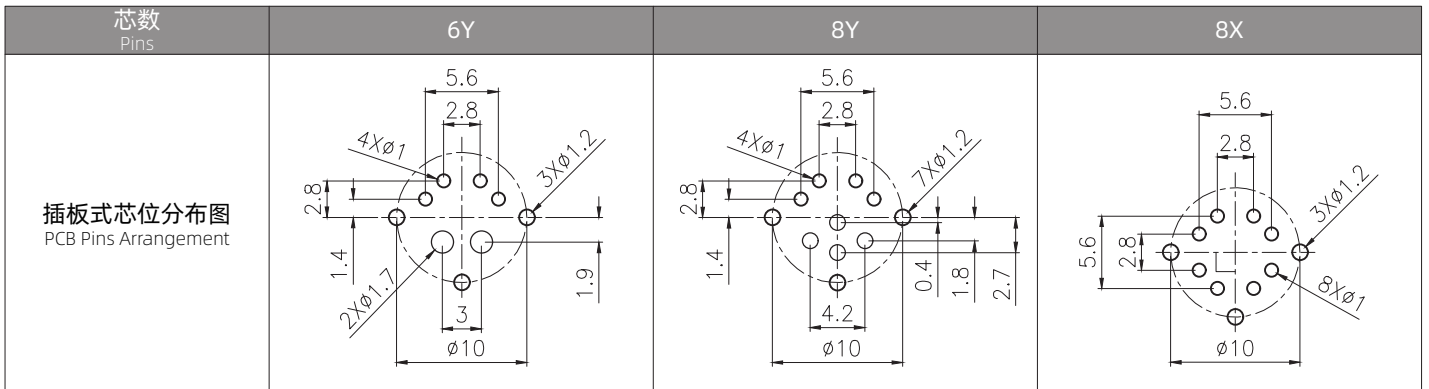
M12·贴片式插芯与外壳配件(X型) M12 SOCKET INSERT AND HOUSING ACCESSORIES(X-CODING)

	<p>贴片式孔型插座 插板式 M12 SMD Type Female Socket (PCB)</p> <p>M12 - S 8X - PSS</p> <p>芯数: X:8X Y:6Y8Y</p>	 <p>开孔尺寸 hole opening size</p>
	<p>弯式孔型插座 插板式 M12 Right angle Female Socket (PCB)</p> <p>M12 - S 8X - PPL</p> <p>芯数: X:8X Y:6Y8Y</p>	 <p>开孔尺寸 hole opening size</p>
 <p>板前安装孔型外壳 螺牙M12x1 Front Mount Female Shell (Screw M12*1) M12-SGBM12-X</p>	 <p>板后安装孔型外壳 螺牙M12x1 Back Mount Female Shell (Screw M12*1) M12-SGFM12-X</p>	

M12(XY)·电气参数 M12(XY) ELECTRICAL PARAMETERS

接口类型 Interface Code type	芯数 Pins	针型 Male	额定电流 Rated current	额定电压 Rated voltage		导体规格 Conductor size		孔型 Female
				A/C	D/C	AWG	mm ²	
X型 X-Code	8X		0.5A	50V	60V	26~24	0.14~0.25	
Y型 Y-Code	6Y		0.5A/12A	30V	30V	2x26AWG+ 4x20AWG	0.14~0.5	
	8Y		0.5A/6A	30V	30V	4x26AWG+ 4x20AWG	0.14~0.5	

M12(XY)·插板式芯位图 M12(XY) PCB PINS ARRANGEMENT



M12(XY)·接线定义 M12(XY) WIRE DEFINITION

芯位 Pins	线芯颜色 Wire core color		
8X(8 Pins X-Code)			
1	WHOG		D1+
2	OG		D1-
3	WHGN		D2+
4	GN		D2-
5	WHBN		D4+
6	BN		D4-
7	WHBU		D3-
8	BU		D3+


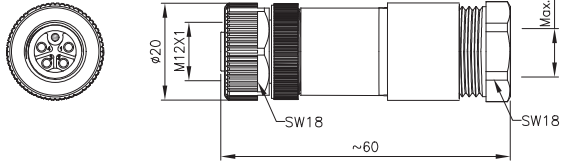

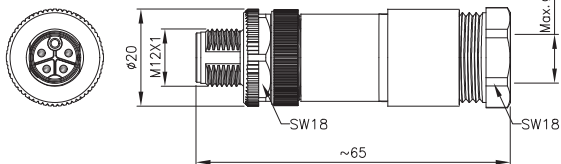

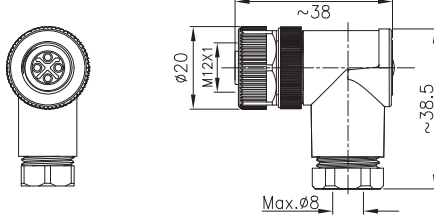

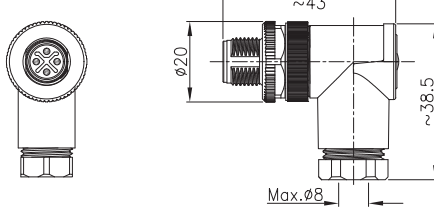

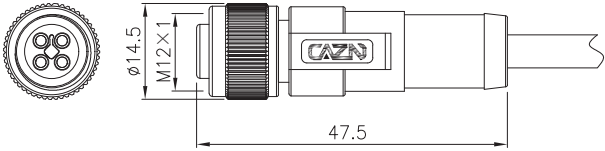

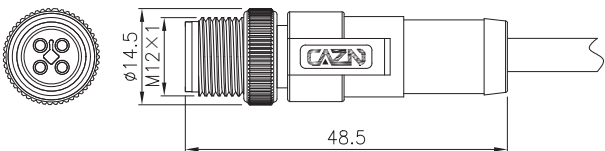
芯位 Pins	线芯颜色 Wire core color		
6Y(6 Pins Y-Code)			
1	WHOG		D1+
2	OG		D1-
3	WHGN		D2+
4	GN		D2-
5	BU		D4+
6	WH		D4-


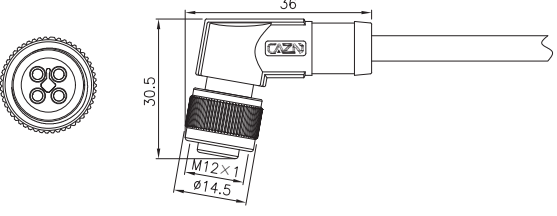

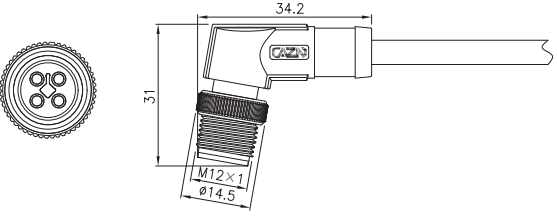

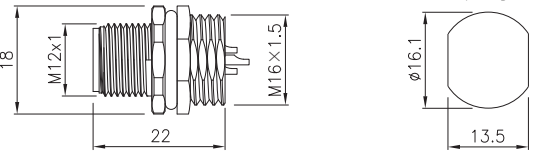

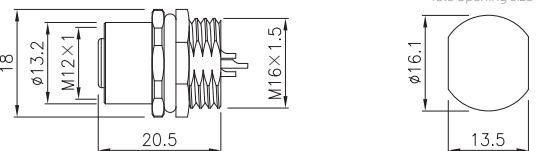

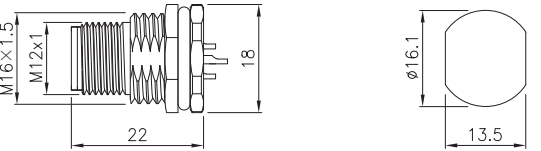

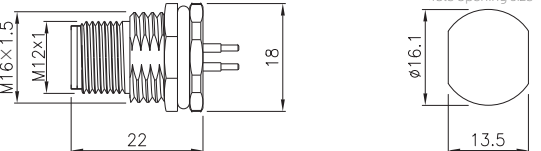

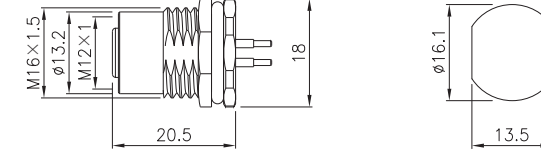
芯位 Pins	线芯颜色 Wire core color		
8Y(8 Pins Y-Code)			
1	WHOG		D1+
2	OG		D1-
3	WHGN		D2+
4	GN		D2-
5	BU		D4+
6	WH		D4-
7	BN		D3-
8	BK		D3+


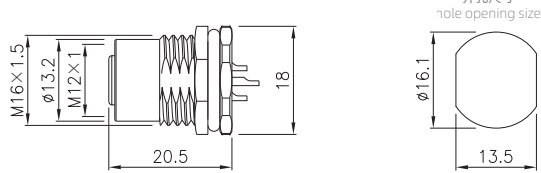

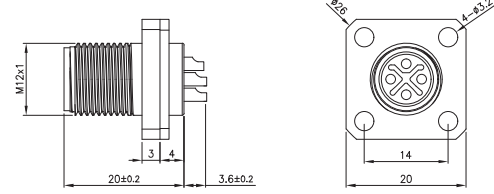

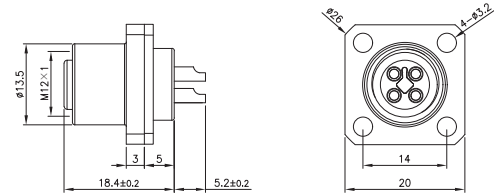
*接线定义按常规标准，如按协议或者其他请联系我司业务。
Wiring definition according to conventional standards, if according to the agreement or other please contact our sales.

M12电源型 —— STKLM型

M12 POWER TYPE -- STKLM CODE

产品图 PRODUCT FIGURE	名称/型号 NAME/TYPE NO.	尺寸图 DIMENSIONS																								
	<p>直式孔型塑胶组装式插头 电源型 螺钉式 M12 Straight Female Plastic Assembled Plug (Power type, Screw)</p> <p>M12 - S 2S - PLA P9</p> <table border="1" data-bbox="501 577 671 664"> <tr> <td>芯数:</td> <td>出线:</td> </tr> <tr> <td>S:2S 2PS 3PS</td> <td>P9:PG9</td> </tr> <tr> <td>T:2T 2PT 3PT</td> <td>P11:PG11</td> </tr> <tr> <td>K:2K 2PK 3PK 4PK</td> <td></td> </tr> <tr> <td>L:2L 2FL 3L 3FL 4L 4FL</td> <td></td> </tr> <tr> <td>M:2M 2PM 3PM 4PM 5PM</td> <td></td> </tr> </table>	芯数:	出线:	S:2S 2PS 3PS	P9:PG9	T:2T 2PT 3PT	P11:PG11	K:2K 2PK 3PK 4PK		L:2L 2FL 3L 3FL 4L 4FL		M:2M 2PM 3PM 4PM 5PM														
芯数:	出线:																									
S:2S 2PS 3PS	P9:PG9																									
T:2T 2PT 3PT	P11:PG11																									
K:2K 2PK 3PK 4PK																										
L:2L 2FL 3L 3FL 4L 4FL																										
M:2M 2PM 3PM 4PM 5PM																										
	<p>直式针型塑胶组装式插头 电源型 螺钉式 M12 Straight Male Plastic Assembled Plug (Power type, Screw)</p> <p>M12 - P 2S - PLA P9</p> <table border="1" data-bbox="501 842 671 929"> <tr> <td>芯数:</td> <td>出线:</td> </tr> <tr> <td>S:2S 2PS 3PS</td> <td>P9:PG9</td> </tr> <tr> <td>T:2T 2PT 3PT</td> <td>P11:PG11</td> </tr> <tr> <td>K:2K 2PK 3PK 4PK</td> <td></td> </tr> <tr> <td>L:2L 2FL 3L 3FL 4L 4FL</td> <td></td> </tr> <tr> <td>M:2M 2PM 3PM 4PM 5PM</td> <td></td> </tr> </table>	芯数:	出线:	S:2S 2PS 3PS	P9:PG9	T:2T 2PT 3PT	P11:PG11	K:2K 2PK 3PK 4PK		L:2L 2FL 3L 3FL 4L 4FL		M:2M 2PM 3PM 4PM 5PM														
芯数:	出线:																									
S:2S 2PS 3PS	P9:PG9																									
T:2T 2PT 3PT	P11:PG11																									
K:2K 2PK 3PK 4PK																										
L:2L 2FL 3L 3FL 4L 4FL																										
M:2M 2PM 3PM 4PM 5PM																										
	<p>弯式孔型塑胶组装式插头 电源型 螺钉式 PG9 M12 Angled Female Plastic Assembled Plug (Power type, Screw, PG9)</p> <p>M12 - S 2S - PWD P9</p> <table border="1" data-bbox="501 1108 624 1194"> <tr> <td>芯数:</td> </tr> <tr> <td>S:2S 2PS 3PS</td> </tr> <tr> <td>T:2T 2PT 3PT</td> </tr> <tr> <td>K:2K 2PK 3PK 4PK</td> </tr> <tr> <td>L:2L 2FL 3L 3FL 4L 4FL</td> </tr> <tr> <td>M:2M 2PM 3PM 4PM 5PM</td> </tr> </table>	芯数:	S:2S 2PS 3PS	T:2T 2PT 3PT	K:2K 2PK 3PK 4PK	L:2L 2FL 3L 3FL 4L 4FL	M:2M 2PM 3PM 4PM 5PM																			
芯数:																										
S:2S 2PS 3PS																										
T:2T 2PT 3PT																										
K:2K 2PK 3PK 4PK																										
L:2L 2FL 3L 3FL 4L 4FL																										
M:2M 2PM 3PM 4PM 5PM																										
	<p>弯式针型塑胶组装式插头 电源型 螺钉式 PG9 M12 Angled Male Plastic Assembled Plug (Power type, Screw, PG9)</p> <p>M12 - P 2S - PWD P9</p> <table border="1" data-bbox="501 1366 624 1453"> <tr> <td>芯数:</td> </tr> <tr> <td>S:2S 2PS 3PS</td> </tr> <tr> <td>T:2T 2PT 3PT</td> </tr> <tr> <td>K:2K 2PK 3PK 4PK</td> </tr> <tr> <td>L:2L 2FL 3L 3FL 4L 4FL</td> </tr> <tr> <td>M:2M 2PM 3PM 4PM 5PM</td> </tr> </table>	芯数:	S:2S 2PS 3PS	T:2T 2PT 3PT	K:2K 2PK 3PK 4PK	L:2L 2FL 3L 3FL 4L 4FL	M:2M 2PM 3PM 4PM 5PM																			
芯数:																										
S:2S 2PS 3PS																										
T:2T 2PT 3PT																										
K:2K 2PK 3PK 4PK																										
L:2L 2FL 3L 3FL 4L 4FL																										
M:2M 2PM 3PM 4PM 5PM																										
<p>非屏蔽款/Unshielded 屏蔽款/Shielded</p> 	<p>直式孔型成型插头 电源型 M12 Straight Female Plastic Plug (Power type)</p> <p>M12 - S 2S - MWA - 1 PV - S</p> <table border="1" data-bbox="501 1634 778 1720"> <tr> <td>芯数:</td> <td>线长(M):</td> <td>线材:</td> <td>S:屏蔽</td> </tr> <tr> <td>S:2S 2PS 3PS</td> <td>1:1M</td> <td>PV:PVC</td> <td>空:非屏蔽</td> </tr> <tr> <td>T:2T 2PT 3PT</td> <td>2.5:2.5M</td> <td>PU:PU</td> <td></td> </tr> <tr> <td>K:2K 2PK 3PK 4PK</td> <td>.....</td> <td>TF:铁氟龙</td> <td></td> </tr> <tr> <td>L:2L 2FL 3L 3FL 4L 4FL</td> <td></td> <td>PE:PE</td> <td></td> </tr> <tr> <td>M:2M 2PM 3PM 4PM 5PM</td> <td></td> <td></td> <td></td> </tr> </table>	芯数:	线长(M):	线材:	S:屏蔽	S:2S 2PS 3PS	1:1M	PV:PVC	空:非屏蔽	T:2T 2PT 3PT	2.5:2.5M	PU:PU		K:2K 2PK 3PK 4PK	TF:铁氟龙		L:2L 2FL 3L 3FL 4L 4FL		PE:PE		M:2M 2PM 3PM 4PM 5PM				
芯数:	线长(M):	线材:	S:屏蔽																							
S:2S 2PS 3PS	1:1M	PV:PVC	空:非屏蔽																							
T:2T 2PT 3PT	2.5:2.5M	PU:PU																								
K:2K 2PK 3PK 4PK	TF:铁氟龙																								
L:2L 2FL 3L 3FL 4L 4FL		PE:PE																								
M:2M 2PM 3PM 4PM 5PM																										
<p>非屏蔽款/Unshielded 屏蔽款/Shielded</p> 	<p>直式针型成型插头 电源型 M12 Straight Male Plastic Plug (Power type)</p> <p>M12 - P 2S - MWA - 1 PV - S</p> <table border="1" data-bbox="501 1897 778 1983"> <tr> <td>芯数:</td> <td>线长(M):</td> <td>线材:</td> <td>S:屏蔽</td> </tr> <tr> <td>S:2S 2PS 3PS</td> <td>1:1M</td> <td>PV:PVC</td> <td>空:非屏蔽</td> </tr> <tr> <td>T:2T 2PT 3PT</td> <td>2.5:2.5M</td> <td>PU:PU</td> <td></td> </tr> <tr> <td>K:2K 2PK 3PK 4PK</td> <td>.....</td> <td>TF:铁氟龙</td> <td></td> </tr> <tr> <td>L:2L 2FL 3L 3FL 4L 4FL</td> <td></td> <td>PE:PE</td> <td></td> </tr> <tr> <td>M:2M 2PM 3PM 4PM 5PM</td> <td></td> <td></td> <td></td> </tr> </table>	芯数:	线长(M):	线材:	S:屏蔽	S:2S 2PS 3PS	1:1M	PV:PVC	空:非屏蔽	T:2T 2PT 3PT	2.5:2.5M	PU:PU		K:2K 2PK 3PK 4PK	TF:铁氟龙		L:2L 2FL 3L 3FL 4L 4FL		PE:PE		M:2M 2PM 3PM 4PM 5PM				
芯数:	线长(M):	线材:	S:屏蔽																							
S:2S 2PS 3PS	1:1M	PV:PVC	空:非屏蔽																							
T:2T 2PT 3PT	2.5:2.5M	PU:PU																								
K:2K 2PK 3PK 4PK	TF:铁氟龙																								
L:2L 2FL 3L 3FL 4L 4FL		PE:PE																								
M:2M 2PM 3PM 4PM 5PM																										






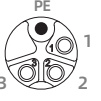

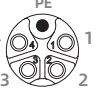



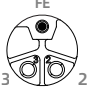

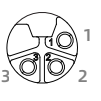

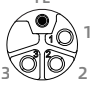


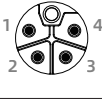
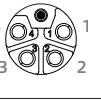




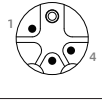
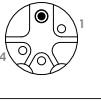
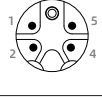
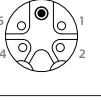
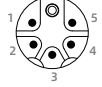
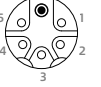
产品图 PRODUCT FIGURE	名称/类型号 NAME/TYPE No.	尺寸图 DIMENSIONS																								
 <p>非屏蔽款/Unshielded 屏蔽款/Shielded</p>	<p>弯式孔型成型插头 电源型 M12 Angled Female Overmolded Plug (Power type)</p> <p>M12 - S 2S - MWD - 1 PV - S</p> <table border="1" data-bbox="502 312 782 398"> <tr> <td>芯数:</td> <td>线长(M):</td> <td>线材:</td> <td>S:屏蔽</td> </tr> <tr> <td>S:2S 2PS 3PS</td> <td>1:1M</td> <td>PV:PVC</td> <td>空:非屏蔽</td> </tr> <tr> <td>T:2T 2PT 3PT</td> <td>2.5:2.5M</td> <td>PU:PU</td> <td></td> </tr> <tr> <td>K:2K 2PK 3PK 4PK</td> <td>.....</td> <td>TF:铁氟龙</td> <td></td> </tr> <tr> <td>L:2L 2FL 3L 3FL 4L 4FL</td> <td></td> <td>PE:PE</td> <td></td> </tr> <tr> <td>M:2M 2PM 3PM 4PM 5PM</td> <td></td> <td></td> <td></td> </tr> </table>	芯数:	线长(M):	线材:	S:屏蔽	S:2S 2PS 3PS	1:1M	PV:PVC	空:非屏蔽	T:2T 2PT 3PT	2.5:2.5M	PU:PU		K:2K 2PK 3PK 4PK	TF:铁氟龙		L:2L 2FL 3L 3FL 4L 4FL		PE:PE		M:2M 2PM 3PM 4PM 5PM				 <p>36 30.5 M12x1 Ø14.5</p>
芯数:	线长(M):	线材:	S:屏蔽																							
S:2S 2PS 3PS	1:1M	PV:PVC	空:非屏蔽																							
T:2T 2PT 3PT	2.5:2.5M	PU:PU																								
K:2K 2PK 3PK 4PK	TF:铁氟龙																								
L:2L 2FL 3L 3FL 4L 4FL		PE:PE																								
M:2M 2PM 3PM 4PM 5PM																										
 <p>非屏蔽款/Unshielded 屏蔽款/Shielded</p>	<p>弯式针型成型插头 电源型 M12 Angled Male Overmolded Plug (Power type)</p> <p>M12 - P 2S - MWD - 1 PV - S</p> <table border="1" data-bbox="502 571 782 657"> <tr> <td>芯数:</td> <td>线长(M):</td> <td>线材:</td> <td>S:屏蔽</td> </tr> <tr> <td>S:2S 2PS 3PS</td> <td>1:1M</td> <td>PV:PVC</td> <td>空:非屏蔽</td> </tr> <tr> <td>T:2T 2PT 3PT</td> <td>2.5:2.5M</td> <td>PU:PU</td> <td></td> </tr> <tr> <td>K:2K 2PK 3PK 4PK</td> <td>.....</td> <td>TF:铁氟龙</td> <td></td> </tr> <tr> <td>L:2L 2FL 3L 3FL 4L 4FL</td> <td></td> <td>PE:PE</td> <td></td> </tr> <tr> <td>M:2M 2PM 3PM 4PM 5PM</td> <td></td> <td></td> <td></td> </tr> </table>	芯数:	线长(M):	线材:	S:屏蔽	S:2S 2PS 3PS	1:1M	PV:PVC	空:非屏蔽	T:2T 2PT 3PT	2.5:2.5M	PU:PU		K:2K 2PK 3PK 4PK	TF:铁氟龙		L:2L 2FL 3L 3FL 4L 4FL		PE:PE		M:2M 2PM 3PM 4PM 5PM				 <p>34.2 31 M12x1 Ø14.5</p>
芯数:	线长(M):	线材:	S:屏蔽																							
S:2S 2PS 3PS	1:1M	PV:PVC	空:非屏蔽																							
T:2T 2PT 3PT	2.5:2.5M	PU:PU																								
K:2K 2PK 3PK 4PK	TF:铁氟龙																								
L:2L 2FL 3L 3FL 4L 4FL		PE:PE																								
M:2M 2PM 3PM 4PM 5PM																										
	<p>板前安装针型插座 电源型 焊线式 螺牙M16x1.5 M12 Male Front Mount Socket (Power type, Solder, Screw M16*1.5)</p> <p>M12 - P 2S - GWB M16</p> <table border="1" data-bbox="502 840 622 927"> <tr> <td>芯数:</td> </tr> <tr> <td>S:2S 2PS 3PS</td> </tr> <tr> <td>T:2T 2PT 3PT</td> </tr> <tr> <td>K:2K 2PK 3PK 4PK</td> </tr> <tr> <td>L:2L 2FL 3L 3FL 4L 4FL</td> </tr> <tr> <td>M:2M 2PM 3PM 4PM 5PM</td> </tr> </table>	芯数:	S:2S 2PS 3PS	T:2T 2PT 3PT	K:2K 2PK 3PK 4PK	L:2L 2FL 3L 3FL 4L 4FL	M:2M 2PM 3PM 4PM 5PM	 <p>18 M12x1 22 M16x1.5 开孔尺寸 nole opening size Ø16.1 13.5</p>																		
芯数:																										
S:2S 2PS 3PS																										
T:2T 2PT 3PT																										
K:2K 2PK 3PK 4PK																										
L:2L 2FL 3L 3FL 4L 4FL																										
M:2M 2PM 3PM 4PM 5PM																										
	<p>板前安装孔型插座 电源型 焊线式 螺牙M16x1.5 M12 Female Front Mount Socket (Power type, Solder, Screw M16*1.5)</p> <p>M12 - S 2S - GWB M16</p> <table border="1" data-bbox="502 1099 622 1185"> <tr> <td>芯数:</td> </tr> <tr> <td>S:2S 2PS 3PS</td> </tr> <tr> <td>T:2T 2PT 3PT</td> </tr> <tr> <td>K:2K 2PK 3PK 4PK</td> </tr> <tr> <td>L:2L 2FL 3L 3FL 4L 4FL</td> </tr> <tr> <td>M:2M 2PM 3PM 4PM 5PM</td> </tr> </table>	芯数:	S:2S 2PS 3PS	T:2T 2PT 3PT	K:2K 2PK 3PK 4PK	L:2L 2FL 3L 3FL 4L 4FL	M:2M 2PM 3PM 4PM 5PM	 <p>18 Ø13.2 M12x1 20.5 M16x1.5 开孔尺寸 nole opening size Ø16.1 13.5</p>																		
芯数:																										
S:2S 2PS 3PS																										
T:2T 2PT 3PT																										
K:2K 2PK 3PK 4PK																										
L:2L 2FL 3L 3FL 4L 4FL																										
M:2M 2PM 3PM 4PM 5PM																										
	<p>板后安装针型插座 电源型 焊线式 螺牙M16x1.5 M12 Male Back Mount Socket (Power type, Solder, Screw M16*1.5)</p> <p>M12 - P 2S - GWF M16</p> <table border="1" data-bbox="502 1369 622 1455"> <tr> <td>芯数:</td> </tr> <tr> <td>S:2S 2PS 3PS</td> </tr> <tr> <td>T:2T 2PT 3PT</td> </tr> <tr> <td>K:2K 2PK 3PK 4PK</td> </tr> <tr> <td>L:2L 2FL 3L 3FL 4L 4FL</td> </tr> <tr> <td>M:2M 2PM 3PM 4PM 5PM</td> </tr> </table>	芯数:	S:2S 2PS 3PS	T:2T 2PT 3PT	K:2K 2PK 3PK 4PK	L:2L 2FL 3L 3FL 4L 4FL	M:2M 2PM 3PM 4PM 5PM	 <p>M16x1.5 M12x1 18 22 开孔尺寸 nole opening size Ø16.1 13.5</p>																		
芯数:																										
S:2S 2PS 3PS																										
T:2T 2PT 3PT																										
K:2K 2PK 3PK 4PK																										
L:2L 2FL 3L 3FL 4L 4FL																										
M:2M 2PM 3PM 4PM 5PM																										
	<p>板后安装针型插座 电源型 插板式 螺牙M16x1.5 M12 Male Back Mount Socket (Power type, PCB, Screw M16*1.5)</p> <p>M12 - P 2S - GPF M16</p> <table border="1" data-bbox="502 1627 622 1714"> <tr> <td>芯数:</td> </tr> <tr> <td>S:2S 2PS 3PS</td> </tr> <tr> <td>T:2T 2PT 3PT</td> </tr> <tr> <td>K:2K 2PK 3PK 4PK</td> </tr> <tr> <td>L:2L 2FL 3L 3FL 4L 4FL</td> </tr> <tr> <td>M:2M 2PM 3PM 4PM 5PM</td> </tr> </table>	芯数:	S:2S 2PS 3PS	T:2T 2PT 3PT	K:2K 2PK 3PK 4PK	L:2L 2FL 3L 3FL 4L 4FL	M:2M 2PM 3PM 4PM 5PM	 <p>M16x1.5 M12x1 18 22 开孔尺寸 nole opening size Ø16.1 13.5</p>																		
芯数:																										
S:2S 2PS 3PS																										
T:2T 2PT 3PT																										
K:2K 2PK 3PK 4PK																										
L:2L 2FL 3L 3FL 4L 4FL																										
M:2M 2PM 3PM 4PM 5PM																										
	<p>板后安装孔型插座 电源型 插板式 螺牙M16x1.5 M12 Female Back Mount Socket (Power type, PCB, Screw M16*1.5)</p> <p>M12 - S 2S - GPF M16</p> <table border="1" data-bbox="502 1897 622 1983"> <tr> <td>芯数:</td> </tr> <tr> <td>S:2S 2PS 3PS</td> </tr> <tr> <td>T:2T 2PT 3PT</td> </tr> <tr> <td>K:2K 2PK 3PK 4PK</td> </tr> <tr> <td>L:2L 2FL 3L 3FL 4L 4FL</td> </tr> <tr> <td>M:2M 2PM 3PM 4PM 5PM</td> </tr> </table>	芯数:	S:2S 2PS 3PS	T:2T 2PT 3PT	K:2K 2PK 3PK 4PK	L:2L 2FL 3L 3FL 4L 4FL	M:2M 2PM 3PM 4PM 5PM	 <p>M16x1.5 Ø13.2 M12x1 20.5 18 开孔尺寸 nole opening size Ø16.1 13.5</p>																		
芯数:																										
S:2S 2PS 3PS																										
T:2T 2PT 3PT																										
K:2K 2PK 3PK 4PK																										
L:2L 2FL 3L 3FL 4L 4FL																										
M:2M 2PM 3PM 4PM 5PM																										

产品图 PRODUCT FIGURE	名称/型号 NAME/TYPE No.	尺寸图 DIMENSIONS
	板后安装孔型插座 电源型 焊线式 螺牙M16x1.5 M12 Female Back Mount Socket (Power type, Solder, Screw M16*1.5) M12 - S 2S - GWF M16 芯数: S:2S 2P5 3P5 T:2T 2PT 3PT K:2K 2PK 3PK 4PK L:2L 2FL 3L 3FL 4L 4FL M:2M 2PM 3PM 4PM 5PM	 开孔尺寸 hole opening size 16.1 13.5 18 20.5 M16x1.5 13.2 M12x1
	方形法兰针型插座 电源型 焊线式 14x14 M12 Square Flange Male Socket (Power type, Solder, 14*14) M12 - P 2S - GWH 芯数: S:2S 2P5 3P5 T:2T 2PT 3PT K:2K 2PK 3PK 4PK L:2L 2FL 3L 3FL 4L 4FL M:2M 2PM 3PM 4PM 5PM	 20±0.2 3 4 3.6±0.2 M12x1 20 14 16±0.2 14
	方形法兰孔型插座 电源型 焊线式 14x14 M12 Square Flange Female Socket (Power type, Solder, 14*14) M12 - S 2S - GWH 芯数: S:2S 2P5 3P5 T:2T 2PT 3PT K:2K 2PK 3PK 4PK L:2L 2FL 3L 3FL 4L 4FL M:2M 2PM 3PM 4PM 5PM	 18.4±0.2 5 5.2±0.2 M12x1 20 14 16±0.2 14

M12(ST)·电气参数 M12(ST) ELECTRICAL PARAMETERS

接口类型 Interface Code type	芯数 Pins	针型 Male	额定电流 Rated current	额定电压 Rated voltage		导体规格 Conductor size		孔型 Female
				A/C	D/C	AWG	mm ²	
S型 S-Code	2		12A	630V	630V	16	1.5	
	2+PE		12A	630V	630V	16	1.5	
	3+PE		12A	630V	630V	16	1.5	
T型 T-Code	2		12A	60V	60V	16	1.5	
	2+PE		12A	60V	60V	16	1.5	
	3+PE		12A	60V	60V	16	1.5	

M12(LKM)·电气参数 M12(LKM) ELECTRICAL PARAMETERS

接口类型 Interface Code type	芯数 Pins	针型 Male	额定电流 Rated current	额定电压 Rated voltage		导体规格 Conductor size		孔型 Female
				A/C	D/C	AWG	mm ²	
K型 K-Code	2		16A	800V	800V	16	2.5	
	2+PE		16A	800V	800V	16	2.5	
	3+PE		16A	800V	800V	16	2.5	
	4+PE		16A	800V	800V	16	2.5	
L型 L-Code	2		16A	63V	63V	14	2.5	
	2+FE		16A	63V	63V	14	2.5	
	3		16A	63V	63V	14	2.5	
	3+FE		16A	63V	63V	14	2.5	
	4		16A	63V	63V	14	2.5	
	4+FE		16A	63V	63V	14	2.5	
M型 M-Code	2		8A	630V	630V	16	1.5	
	2+PE		8A	630V	630V	16	1.5	
	3+PE		8A	630V	630V	16	1.5	
	4+PE		8A	630V	630V	16	1.5	
	5+PE		8A	630V	630V	16	1.5	

M12(STLK)·插板式芯位图 M12(STLK) PCB PINS ARRANGEMENT

芯数 Pins	2T	3S	3T	4S	4T
针型 插板式芯位分布图 Male PCB Pins Arrangement					
	3K/3L		4K/4L		5K/5L
芯数 Pins	2T	3S	3T	4S	4T
孔型 插板式芯位分布图 Female PCB Pins Arrangement					
	3K/3L		4K/4L		5K/5L

M12(STLKM)·接线定义 M12(STLKM) WIRE DEFINITION

芯位 Pins	线芯颜色 Wire core color
	2+PE, S编码(S-Code)
1	BK1
2	BK2
PE	GNYE

芯位 Pins	线芯颜色 Wire core color
	4芯, T编码(4 Pins T-Code)
1	BN
2	WH
3	BU
4	BK

芯位 Pins	线芯颜色 Wire core color
	4+PE, K编码(K-Code)
1	BK1
2	BK2
3	BK3
4	BK4
PE	GNYE

芯位 Pins	线芯颜色 Wire core color
	5+PE, M编码(M-Code)
1	BK1
2	BK2
3	BK3
4	BK4
5	BK5
PE	GNYE

芯位 Pins	线芯颜色 Wire core color
	3+PE, S编码(S-Code)
1	BK1
2	BK2
3	BK3
PE	GNYE

芯位 Pins	线芯颜色 Wire core color
	4/4+PE, L编码(L-Code)
1	BN
2	WH
3	BU
4	BK
FE*	GY

*省略4芯(Omit 4 pins)

*接线定义按常规标准, 如按协议或者其他请联系我司业务。

Wiring definition according to conventional standards, if according to the agreement or other please contact our sales.

STA·思大
工业连接技术专家



欧标连接器
M SERIE CONNECTOR

STA·思大
工业连接技术专家



塑胶防水连接器
PLASTIC WATERPROOF CONNECTOR

STA·思大
工业连接技术专家



推拉自锁系列
PUSH-PULL SELF-LOCKING SERIES

STA·思大
工业连接技术专家



重载连接器
HWAVY DUTY CONNECTORS

STA·思大
工业连接技术专家



美标连接器
AMERICAN STANDARD CONNECTOR

STA·思大
工业连接技术专家



射频连接产品目录
RF CONNECTION PRODUCT CATALOG